



aerospace
climate control
electromechanical
filtration
fluid & gas handling
hydraulics
pneumatics
process control
sealing & shielding



Stainless Steel Air Motors


Series P1V-S



ENGINEERING YOUR SUCCESS.


Features	Air motor	Hydraulic motor	Electric motor	Electric motor regulated	Electric motor regulated with feed back
Overload safe	***	***	*	**	***
Increased torque at higher loads	***	**	*	**	***
Easy to limit torque	***	***	*	*	***
Easy to vary speed	***	***	*	***	***
Easy to limit power	***	***	*	**	***
Reliability	***	***	***	***	***
Robustness	***	***	*	*	*
Installation cost	***	*	**	**	**
Ease of service	***	**	*	*	*
Safety in damp environments	***	***	*	*	*
Safety in explosive atmospheres	***	***	*	*	*
Safety risk with electrical installations	***	***	*	*	*
Risk of oil leak	***	*	***	***	***
Hydraulic system required	***	*	***	***	***
Weight	**	***	*	**	*
Power density	**	***	*	*	*
High torque for size	**	***	*	*	*
Noise level during operation	*	***	**	**	**
Total energy consumption	*	**	***	***	***
Service interval	*	**	***	***	***
Compressor capacity required	*	***	***	***	***
Purchase price	*	*	***	***	**
Accuracy, speed	*	**	*	**	***
Regulating dynamic	*	*	*	*	***
Communication	*	*	*	***	***

* = good, **=average, ***=excellent




Important!

Before carrying out service activities, make sure the air motor is vented. Before disassembling the motor, disconnect the primary air hose to ensure that the air supply is interrupted.



NOTE!

All technical data in the catalogue are typical values. The air quality is a major factor in the service life of the motor, see ISO 8573-1.



WARNING

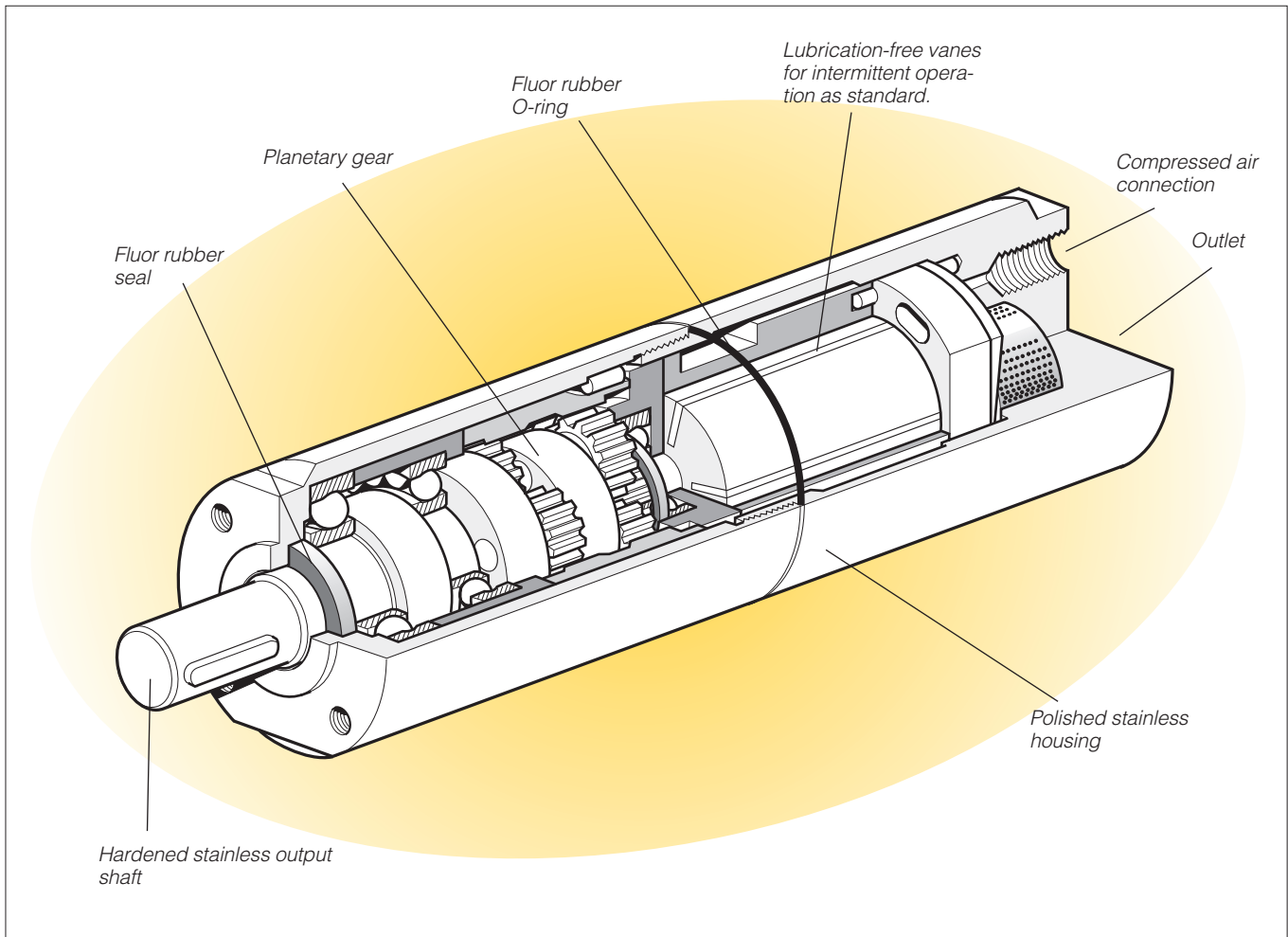
FAILURE OR IMPROPER SELECTION OR IMPROPER USE OF THE PRODUCTS AND/OR SYSTEMS DESCRIBED HEREIN OR RELATED ITEMS CAN CAUSE DEATH, PERSONAL INJURY AND PROPERTY DAMAGE.

This document and other information from Parker Hannifin Corporation, its subsidiaries and authorized distributors provide product and/or system options for further investigation by users having technical expertise. It is important that you analyze all aspects of your application and review the information concerning the product or system in the current product catalog. Due to the variety of operating conditions and applications for these products or systems, the user, through its own analysis and testing, is solely responsible for making the final selection of the products and systems and assuring that all performance, safety and warning requirements of the application are met. The products described herein, including without limitation, product features, specifications, designs, availability and pricing, are subject to change by Parker Hannifin Corporation and its subsidiaries at any time without notice.

SALE CONDITIONS

The items described in this document are available for sale by Parker Hannifin Corporation, its subsidiaries or its authorized distributors. Any sale contract entered into by Parker will be governed by the provisions stated in Parker's standard terms and conditions of sale (copy available upon request).

Contents	Page
General description	4
Principles of motor operation	6
Torque, power and air consumption graphs	6
Correction diagram	7
Direction of motor rotation	7
Speed regulation	7
Air supply	8
Choice of components for air supply	8
Silencing and Sound levels	10
Compressed air quality	10
Choice of air motor	12
Technical data	14
Material specification	14
Choice of vanes	14
Order key	15
Introduction to the ATEX directive	16-17
Additional safety instructions for installation in explosive atmospheres ..	18-19
Air Motors	
P1V-S002A series, 20 W and P1V-S008A series, 80 W	20
P1V-S012A/D series, 120 W	22
P1V-S020A/D series, 200 W	24
P1V-S030A/D series, 300 W	26
P1V-S060A series, 600 W	28
P1V-S120A series, 1200 W	30
Brake motors, general	32
P1V-S020AD series, 200 W	33
P1V-S030AD series, 300 W	34
Installation brackets for P1V-S	35
Dimensions for Motor and Brackets	
Motor P1V-S002	36
Motor P1V-S008	36
Motor P1V-S012	37
Motor P1V-S020	38
Motor P1V-S030	39
Motor P1V-S060	40
Motor P1V-S120	41
Brake motor P1V-S020	42
Brake motor P1V-S030	43
Drilling, milling and grinding motors	
Feed movement in drilling, milling and grinding motors	44
Technical data:	44
Material specification	44
Order key	44
Standard speeds for HSS spiral drills	45
Drilling motor P1V-S008N	45
Drilling motor P1V-S017N	46
Drilling motor P1V-S017M	47
Drilling motor P1V-S025N	48
Drilling motor P1V-S025M	49
Drilling motor P1V-S040M	50
Milling motor P1V-S040N	51
Grinding motor P1V-S009N	52
Grinding motor P1V-S020N	52
Dimensions	
Drilling motor P1V-S008N and P1V-S017N	53
Drilling motor P1V-S017M and P1V-S025N	54
Drilling motor P1V-S025M and P1V-S040M	55
Milling motor P1V-S040N	56
Grinding motor P1V-S009N0A000 and P1V-S020N0X000	56
Theoretical calculations	57
Permitted shaft loadings	60-61
Service kits for P1V-S motors	62-63
Service kits for drilling, milling and grinding motors	64
Torque, power and air consumption graphs	65



Stainless steel air motors, P1V-S Series

P1V-S is a range of air motors with all external components made of stainless steel, which means that they can be used in food grade applications, and in all other applications where there is a risk of corrosion.

The range contains seven different sizes, with powers ranging from 20 to 1 200 Watts, and speeds from 5 to 24 000 rpm. The air motor and planetary reduction gear are built into a polished stainless steel housing, which is sealed by a fluor rubber O-ring. The output shaft, which is made of polished stainless steel, is also sealed by a fluor rubber seal.

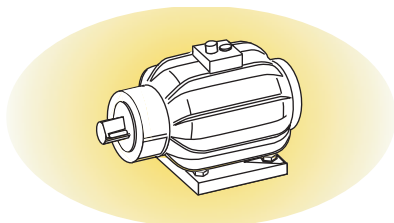
Consideration for achieving a clean, hygienic design was given early on in the development of this range of air motors. Thanks to the cylindrical shape, there are no pockets which can accumulate dirt or bacteria. Additionally, the two halves of the motor body are sealed with an

O-ring to prevent contamination. The choice of materials reflects the fact that aggressive cleaning materials are used in food grade applications.

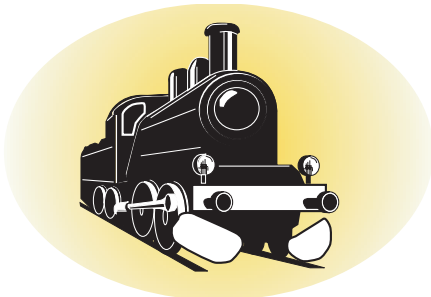
The P1V-S series is designed to be operated in intermittent intervals under non-lubrication conditions. For this reason, no particles of lubricant escape with the exhaust air and the service costs are reduced. This means that the motors can be used directly in food grade applications. The planetary gear, which has one or more reduction stages, is lubricated with an USDA-H1 standard grease, approved for use in food grade applications.



Products particularly suitable for the food industry.



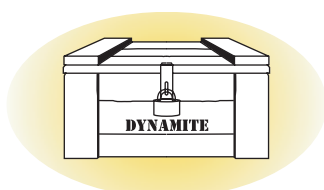
Air motors have much smaller installation dimensions than corresponding electric motors.



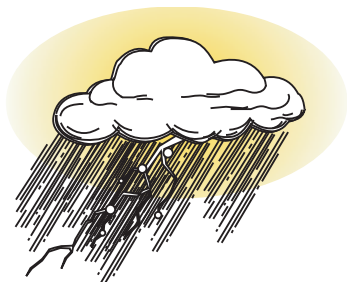
Air motors can be loaded until they stall, without damage. They are designed to be able to withstand the toughest heat, vibration, impact etc.



The weight of an air motor is several times less than corresponding electric motors.



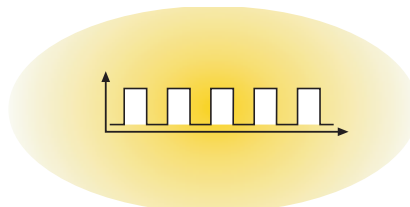
Air motors can be used in the harshest environments. Most P1V-S motors are ATEX certified.



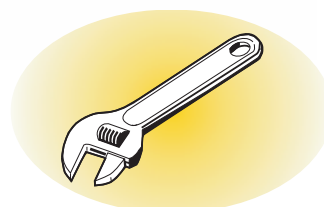
The choice of materials means that they can be used in damp and aggressive environments.



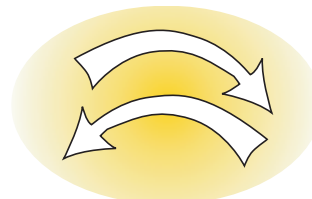
The shape, design and non-lubricated operation allow the motor to be suitable for use in the food industry.



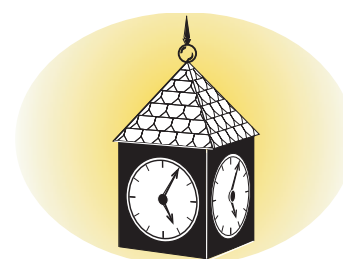
Air motors can be stopped and started continually without damage.



The simple design principle of air motors makes them very easy to service.

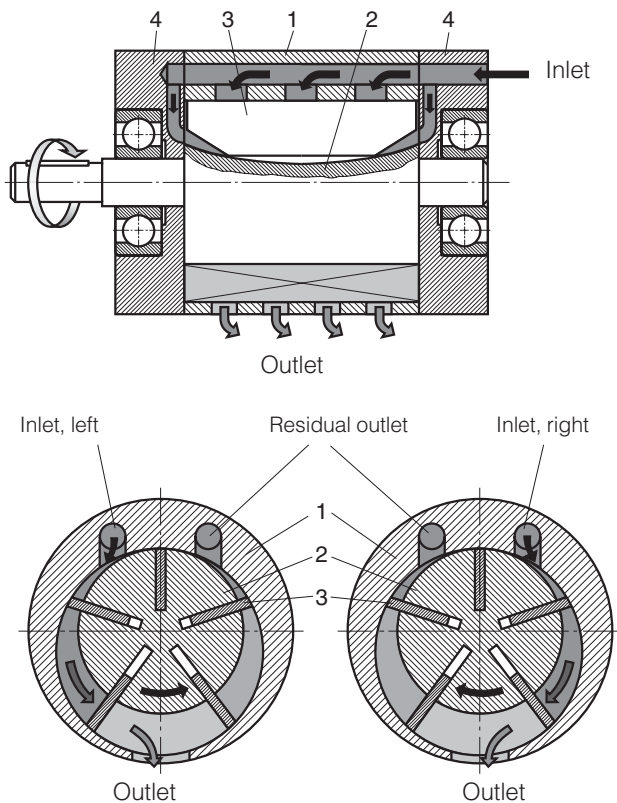


The motors are reversible as standard.



The reliability of air motors is very high, thanks to the design and the low number of moving parts.

Principles of motor operation

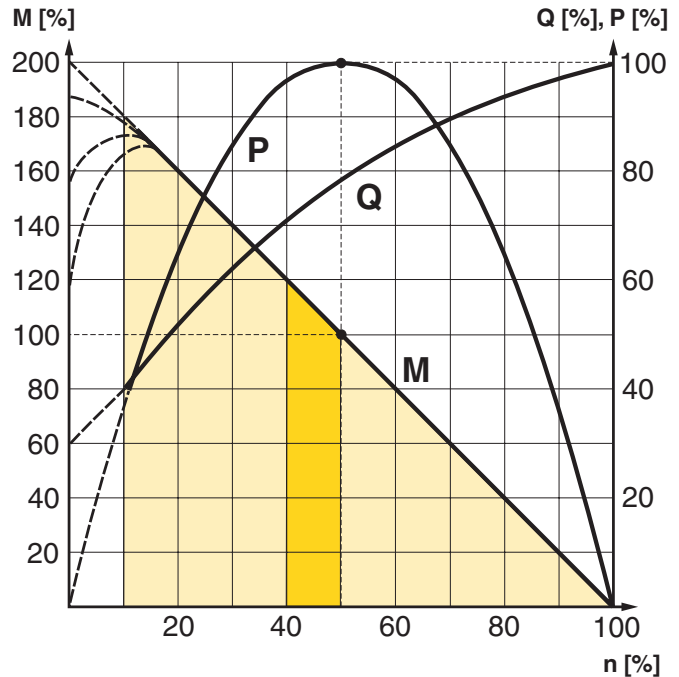


- 1 Rotor cylinder
- 2 Rotor
- 3 Vanes
- 4 End piece with bearing

There are a number of designs of air motors. Parker Hannifin has chosen to use the vane rotor design, because of its simple design and reliable operation. The small external dimensions of vane motors make them suitable for all applications. The complete unit consists of a motor built together with a planetary reduction gear to give the required speed and torque at the output shaft.

The design of a vane air motor consists of a rotor which incorporates a given number of vanes all enclosed within a cylinder. The cylinder will include three ports; an inlet pressure port, an exhaust port and a residual port. Reliable starting is ensured by the fact that the inlet air presses the vanes against the cylinder wall prior to rotation. During operation, the vanes are pressed outwards by centrifugal force. The air pressure always acts at right angles to the vane surface, which means that the available torque is determined by the surface area of the vanes and by the air pressure. As each vane reached it's lowest point air is released through the exhaust port. As the rotation continues air may be trapped and compressed between vanes. This compressed air is released through the residual port. The residual port doubles as the pressure port when the motor is operated in the reverse direction.

Torque, power and air consumption graphs



The curve is for 6 bar
P = power **Q = air consumption**
M = torque **n = speed**

- Possible working range of motor.
- Optimum working range of motor.
 Higher speeds = more vane wear
 Lower speeds with high torque = more gearbox wear

The performance characteristics of each motor are shown in a family of curves as above, from which torque, power and air consumption can be read off as a function of speed. Power is zero when the motor is stationary and also when running at free speed (100%) with no load. Maximum power (100%) is normally developed when the motor is braked to approximately half the free speed (50%).

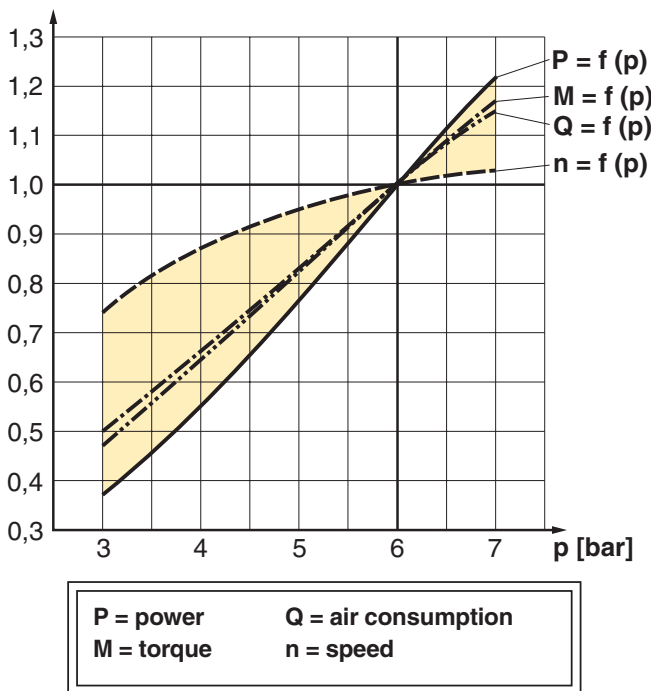
Torque at free speed is zero, but increases as soon as a load is applied, rising linearly until the motor stalls. As the motor can stop with the vanes in various positions, it is not possible to specify an exact starting torque. However, a minimum starting torque is shown in all tables.

Air consumption is greatest at free speed, and decreases with decreasing speed, as shown in the above diagram.

Please refer to the curve on page 65 for these pressures:
3, 4, 5, 6 and 7 bar

Correction diagram

Correction factor



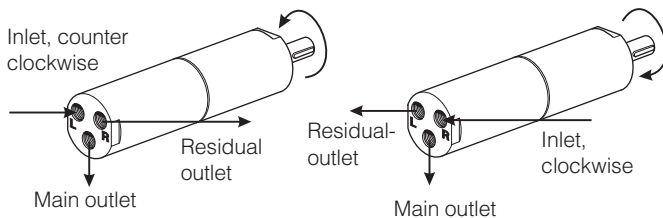
All catalogue data and curves are specified at a supply pressure of 6 bar (in the inlet port). This diagram shows the effect of pressure on speed, torque, power and air consumption.

Start off on the curve at the pressure used and then look up to the lines for power, torque, air consumption or speed. Read off the correction factor on the Y axis for each curve and multiply this by the specified catalogue data in the table or data read from the torque and power graphs.

Example: at 4 bar supply pressure, the power is only 0,55 x power at 6 bar supply pressure.

This example shows how rapidly the power rating of a motor decreases as the supply pressure is reduced. Therefore, it is critical to ensure that the proper pressure is supplied at the inlet port of the motor.

Direction of motor rotation

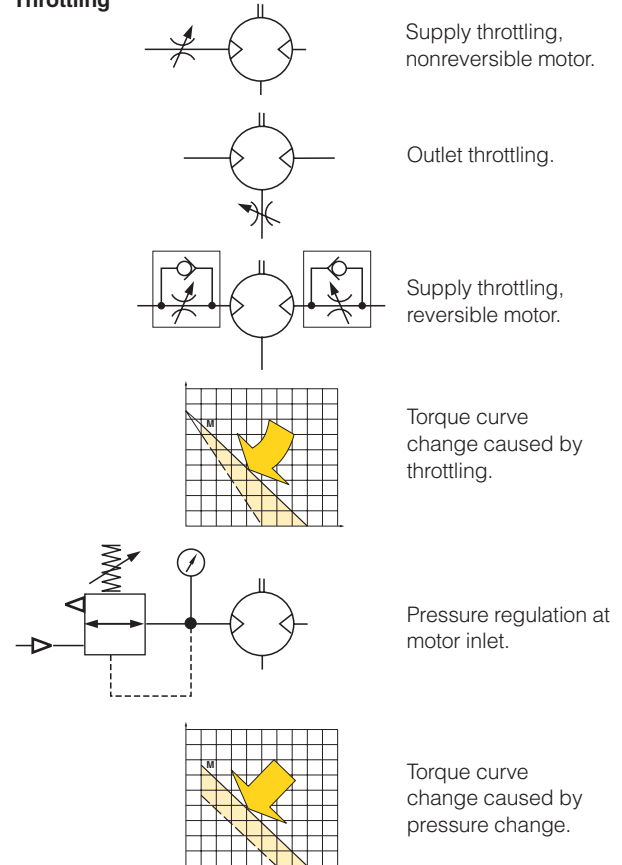


The direction of rotation of reversible motors is controlled by supplying inlet L or inlet R with compressed air. Air motors can be stopped and started continually without damage.

As the motor begins to rotate air is trapped between the vanes and is compressed. This air is exhausted through the exhaust port. As the rotor continues its rotation, trapped air is compressed and exhausted through the residual port. If this air is not exhausted, the motor will be braked and maximum power will not be obtained.

Speed regulation

Throttling



The most common way to reduce the speed of a motor is to install a flow control in the air inlet. When the motor is used in applications where it must reverse and it is necessary to restrict the speed in both directions, flow controls with integral non-return function should be used in both directions. Restriction may also be applied to the main outlet which will control the speed in both directions.

Inlet throttling

If the inlet air is restricted, the air supply is restricted and the free speed of the motor falls, but there is full pressure on the vanes at low speeds. This means full torque is available from the motor at low speed, despite the low air flow.

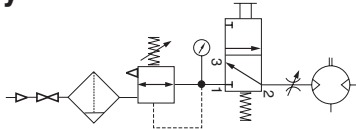
Since the torque curve becomes "steeper", this also means that we get a lower torque at any given speed than would be developed at full air flow.

Pressure regulation

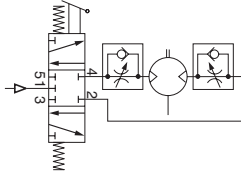
The speed and torque can also be regulated by installing a pressure regulator in the inlet pipe. When the motor is constantly supplied with air at lower pressure and the motor is braked, it develops a lower torque on the output shaft.

In brief: *Inlet throttling* gives reduced speed in one direction but maintains torque when braked. *The torque curve becomes steeper.* A restriction in the main inlet gives reduced speed in both directions but maintains torque when braked. *The torque curve becomes steeper.* Pressure regulation in the inlet cuts torque when the motor is braked, and also reduces speed. *The torque curve is moved parallel.*

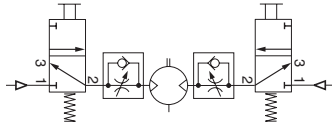
Air supply



Shut-off, filtering, pressure regulation and control valve



Reversible motor with 5/3 control valve



Reversible motor with two 3/2 control valves

The air supplying the motor must be filtered and regulated. Irreversible valves are needed to control the pressurized air which will cause the motor to rotate. These valves can be equipped with several means of actuation, such as electric, manual or pneumatic control. When the motor is used in a non-reversible application, it is sufficient to use a 2/2 or 3/2 valve for supply. Either one 5/3 or two 3/2 valves are needed for a reversible motor, to ensure that the motor gets its compressed air and the residual outlet is vented. A flow control can be installed in the inlet pipe to regulate the motor speed if the motor is not used as a reversible motor. One flow control with by-pass is needed to regulate each direction of rotation if the motor is used as a reversible motor. The built-in check valve will then allow air from the residual air outlet to escape through the outlet port in the control valve.

The compressed air supply must have sufficiently large pipes and valves to give the motor maximum power. The motor needs 6 bar at the supply port all the time. A reduction of pressure to 5 bar reduces the power developed to 77%, and to 55% at 4 bar.

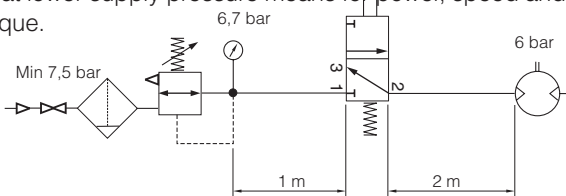
Choice of components for air supply

Since the supply pressure at the air motor inlet port is of considerable importance for obtaining the power, speed and torque quoted in the catalogue, the recommendations below should be observed.

The following data must be complied with:

- Supply pressure to air treatment unit: Min 7,5 bar
- Gauge pressure: 6,7 bar
- Pipe length between air treatment unit and valve: Max 1 m
- Pipe length between valve and air motor: Max 2 m
- The pressure drop through air treatment unit - pipe - valve - pipe means that 6 bar pressure is obtained at the motor inlet port.

Please refer to the correction diagram on page 7, which shows what lower supply pressure means for power, speed and torque.



The table can be used as follows:

If you are using only one motor with each air treatment unit and valve, simply follow the table. If you are using more than one motor with the same air treatment unit: read the table values for selecting the air treatment unit and add them together, and select a suitable air treatment unit from the table showing air flows per treatment unit. Then read the values for selecting the valve from the bottom of the table, and select a suitable valve from the table showing air flows per valve family.

The air treatment units have the following flows in NI/Min at 7,5 bar supply pressure and 0,8 bar pressure drop

FRL series	Air flow in NI/Min
P3H, Moduflex FRL, 40 Series, G1/4	550
P3K, Moduflex FRL, 60 Series, G1/2	1310
P3M, Moduflex FRL, 80 Series, G1	2770
Standard series FRL, G1 1/2	9200
Stainless series FRL PF, G1/4	530
Stainless series FRL PF, G1/2	1480

Valve series with respective flows in NI/minute

Valve series	Qn in NI/Min
Valvetronic Solstar	33
Interface PS1	100
Adex A05	173
Moduflex size 1, (2 x 3/2)	220
Valvetronic PVL-B 5/3 closed centre, 6 mm push in	290
Moduflex size 1, (4/2)	320
B43 Manual and mechanical	340
Valvetronic PVL-B 2 x 2/3, 6 mm push in	350
Valvetronic PVL-B 5/3 closed centre, G1/8	370
Compact Isomax DX02	385
Valvetronic PVL-B 2 x 3/2 G1/8	440
Valvetronic PVL-B 5/2, 6 mm push in	450
Valvetronic PVL-B 5/3 vented centre, 6 mm push in	450
Moduflex size 2, (2 x 3/2)	450
Flowstar P2V-A	520
Valvetronic PVL-B 5/3 vented centre, G1/8	540
Valvetronic PVL-B 5/2, G1/8	540
Valvetronic PVL-C 2 x 3/2, 8 mm push in	540
Adex A12	560
Valvetronic PVL-C 2 x 3/2 G1/8	570
Compact Isomax DX01	585
VIKING Xtreme P2LAX	660
Valvetronic PVL-C 5/3 closed centre, 8 mm push in	700
Valvetronic PVL-C 5/3 vented centre, G1/4	700
B3-Series	780
Valvetronic PVL-C 5/3 closed centre, G1/4	780
Moduflex size 2, (4/2)	800
Valvetronic PVL-C 5/2, 8 mm push in	840
Valvetronic PVL-C 5/3 vented centre, 8 mm push in	840
Valvetronic PVL-C 5/2, G1/4	840
Flowstar P2V-B	1090
ISOMAX DX1	1150
B53 Manual and mechanical	1160
B4-Series	1170
VIKING Xtreme P2LBX	1290
B5-Series, G1/4	1440
Airline Isolator Valve VE22/23	1470
ISOMAX DX2	2330
VIKING Xtreme P2LCX, G3/8	2460
VIKING Xtreme P2LDX, G1/2	2660
ISOMAX DX3	4050
Airline Isolator Valve VE42/43	5520
Airline Isolator Valve VE82/83	13680

Air motors

Air motor	P1V-S002	P1V-S008	P1V-S012	P1V-S020	P1V-S030	P1V-S060	P1V-S120
Air flow required, NI/s	1,7	3,8	5,0	6,3	8,0	14,5	27
Air flow required, NI/min	102	230	300	380	480	870	1620
Min. internal diameter of pipe, mm	4	4	6	10	10	12	19
Choice of air treatment unit: recommended min. air flow in litres/minute at 7,5 bar air supply and 0,8 bar pressure drop							
	110						
		255					
			330				
				420			
					530		
						960	
							1780
Choice of valve: recommended min. air flow in Qn in litres/minute (Qn is the flow through the valve at 6 bar supply pressure and 1 bar pressure drop over the valve).							
	123						
		280					
			360				
				440			
					660		
						1080	
							2160

Drilling motors

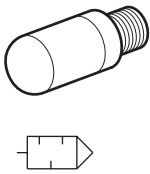
Drilling motor	P1V-S008	P1V-S017	P1V-S025	P1V-S040			
Air flow required, NI/s	3,8	5,0	6,3	8,0			
Air flow required, NI/min	230	300	380	480			
Min. internal diameter of pipe, mm	4	6	6	10			
Choice of air treatment unit: recommended min. air flow in litres/minute at 7,5 bar air supply and 0,8 bar pressure drop							
	255						
		330					
			420				
				530			
Choice of valve: recommended min. air flow in Qn in litres/minute (Qn is the flow through the valve at 6 bar supply pressure and 1 bar pressure drop over the valve).							
	280						
		360					
			440				
				580			

Grinding and milling motors

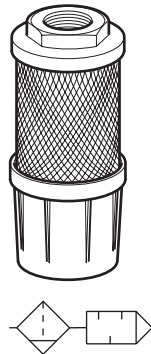
Motor	Grinding P1V-S009	Grinding P1V-S020	Milling P1V-S040				
Air flow required, NI/s	2,0	6,3	8,0				
Air flow required, NI/min	120	380	480				
Min. internal diameter of pipe, mm	4	6	10				
Choice of air treatment unit: recommended min. air flow in litres/minute at 7,5 bar air supply and 0,8 bar pressure drop							
	135						
		420					
			530				
Choice of valve: recommended min. air flow in Qn in litres/minute (Qn is the flow through the valve at 6 bar supply pressure and 1 bar pressure drop over the valve).							
	145						
		440					
			580				

Silencing

Outlet silencer



Central silencer



The noise from an air motor consists of both mechanical noise and a pulsating noise from the air flowing out of the outlet. The installation of the motor has a considerable effect on mechanical noise. It should be installed so that no mechanical resonance effects occur. The outlet air creates a noise level which can amount to 108 dB(A) if the air is allowed to exhaust freely into the atmosphere. To reduce noise levels, various types of outlet silencer are used. The most common type screws directly into the outlet port of the motor. A wide range of silencers are available. Many are made of sintered brass or sintered plastic. Since the motor function causes the exhaust air to pulsate, it is a good idea to allow the air to exhaust into some kind of chamber first, which reduces the pulsations before they reach the silencer. The best silencing method is to connect a soft hose to a central silencer allowing the speed of the air to reduce as much as possible.

NOTE! Remember that if a silencer is too small or is blocked, back pressure is generated on the outlet side of the motor, which in turn reduces the motor power.

Sound levels

Sound levels are measured at free speed with the measuring instrument positioned 1 m away from the air motor, see the table below

Air motor	Free outlet	With outlet silencer	Exhaust air removed with pipes to another room
	dB (A)	dB (A)	dB (A)
P1V-S002	98	-	74
P1V-S008	95	-	71
P1V-S012	99	92	70
P1V-S020	100	88	71
P1V-S030	103	91	70
P1V-S060	103	94	76
P1V-S120	108	95	87



Drilling, milling and grinding motor	With integrated outlet silencer	Exhaust air removed with pipes to another room
	dB (A)	dB (A)
P1V-S008	85	71
P1V-S009	72	-
P1V-S017	74	70
P1V-S025	76	71
P1V-S040	77	70

Compressed air quality

Oil and oil mist are avoided whenever possible to ensure a clean work environment. In addition, purchasing, installation and maintenance of oil mist equipment can be expensive. All users in all industries now try to avoid using components which have to be lubricated.

The P1V-S motor is equipped with vanes for intermittent lubrication free operation as standard, which is the most common application of air motors. The motor is also available with optional hard vanes for continuous lubrication-free operation (option "C").

The P1V-S motor is equipped as standard with food grade grease in the planetary gearbox. An oil which is approved by the food industry is also available if supplementary lubrication is required.

Working pressure	Max 7 bar (max 6 bar in explosive atmospheres )
Working temperature	-30 °C to +100 °C
Ambient temperature	-20 °C to +40 °C
Medium	in explosive atmospheres  40 µm filtered, oil mist or dry unlubricated compressed air

Dry unlubricated compressed air



If unlubricated compressed air is used, the compressed air should comply with the purity standards below in order to guarantee the longest possible overall service life. If the unlubricated compressed air has a high water content, condensation forms inside the motor, causing corrosion in all internal components. A ballbearing can be destroyed in a remarkably short time if it comes into contact with a single water droplet.

For indoor use, we recommend ISO8573-1 purity class 3.4.1. To achieve this, compressors must be fitted with aftercoolers, oil filters, refrigerant air dryers and air filters.

For indoor/outdoor use, we recommend ISO8573-1 purity class 1.2.1. To achieve this, compressors must be fitted with aftercoolers, oil filters, adsorption dryers and dust filters.

Oil mist



If oil mist is used (approx. 1 drop of oil per m³ of compressed air), the oil not only acts as a lubricant but also protects against corrosion. This means that compressed air with a certain water content may be used without causing corrosion problems inside the motor.

ISO8573-1 purity class 3.-.5 may be used without difficulty.

The following oils are recommended for use in the foodstuffs industry: Shell Cassida Fluid HF 32 or Klüberoil 4 UH 1-32

ISO 8573-1 purity classes

Quality class	Contaminants		Water max. pressure dew point (°C)	Oil max. concentration (mg/m ³)
	particle size (µm)	max. concentration (mg/m ³)		
1	0,1	0,1	-70	0,01
2	1	1	-40	0,1
3	5	5	-20	1,0
4	15	8	+3	5,0
5	40	10	+7	25
6	-	-	+10	-

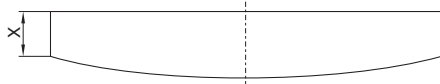
For example: compressed air to purity class 3.4.3

This means a 5 µm filter (standard filter), dew point +3 °C (refrigerant cooled) and an oil concentration of 1,0 mg oil/m³ (as supplied by a standard compressor with a standard filter).

Service interval



The first service is due after approximately 500 hours of operation. After the first service, the service interval is determined by the degree of vane wear*. The table below shows new dimensions and the minimum dimensions of worn vanes.



Air motor	Dimensions on new vanes X(mm), type of vanes			
	Standard	Z	C	M
P1V-S002	3,3	–	–	–
P1V-S008	4,3	–	–	–
P1V-S012	4,2	4,2	4,2	4,2
P1V-S020	6,5	6,0	6,0	6,0
P1V-S030	6,8	6,2	6,8	6,2
P1V-S060	9,0	9,0	9,0	9,0
P1V-S120	14,7	14,0	14,0	14,0

Air motor	Minimum dimensions on vane X (mm), type of vanes			
	Standard	Z	C	M
P1V-S002	3,0	–	–	–
P1V-S008	4,0	–	–	–
P1V-S012	3,3	3,3	3,3	3,3
P1V-S020	5,8	5,3	5,3	5,3
P1V-S030	6,0	5,2	6,0	5,2
P1V-S060	6,0	6,0	6,0	6,0
P1V-S120	14,2	13,5	13,5	13,5

Drilling, milling and grinding motor	New dimensions X(mm)	Minimum dimensions X (mm)
P1V-S008	4,3	4,0
P1V-S017	4,2	3,3
P1V-S025	6,5	5,8
P1V-S040	6,8	6,0

The following normal service intervals should be applied to in order to guarantee problem-free operation in air motors working continuously at load speeds*.

Intermittent lubrication-free operation of motors with standard vanes

Duty cycle :	70%
Max. duration of intermittent use :	15 minutes
Filtration 40 µm :	750 hours of operation*
Filtration 5 µm :	1 000 hours of operation*

Continuous operation of motors with standard vanes, with lubrication

Duty cycle :	Continuous
Quantity of oil :	1 drop per m ³ of air
Filtration 40 µm :	1 000 hours of operation*
Filtration 5 µm :	2 000 hours of operation*

NOTE! After 1000 hours of operation, the grease in the planetary gearbox must be changed

Continuous lubrication-free operation of motors equipped with hard vanes (option C)

Duty cycle :	Continuous
Filtration 40 µm :	750 hours of operation*
Filtration 5 µm :	1000 hours of operation*


CE marking

The air motors are supplied as “Components for installation” – the installer is responsible for ensuring that the motors are installed safely in the overall system. Parker Pneumatic guarantees that its products are safe, and as a supplier of pneumatic equipment we ensure that the equipment is designed and manufactured in accordance with the applicable EU directive.

Most of our products are classed as components as defined by various directives, and although we guarantee that the components satisfy the fundamental safety requirements of the directives to the extent that they are our responsibility, they do not usually carry the CE mark. Nevertheless, most P1V-S motors carry the CE mark because they are ATEX certified (for use in explosive atmospheres).

The following are the currently applicable directives:

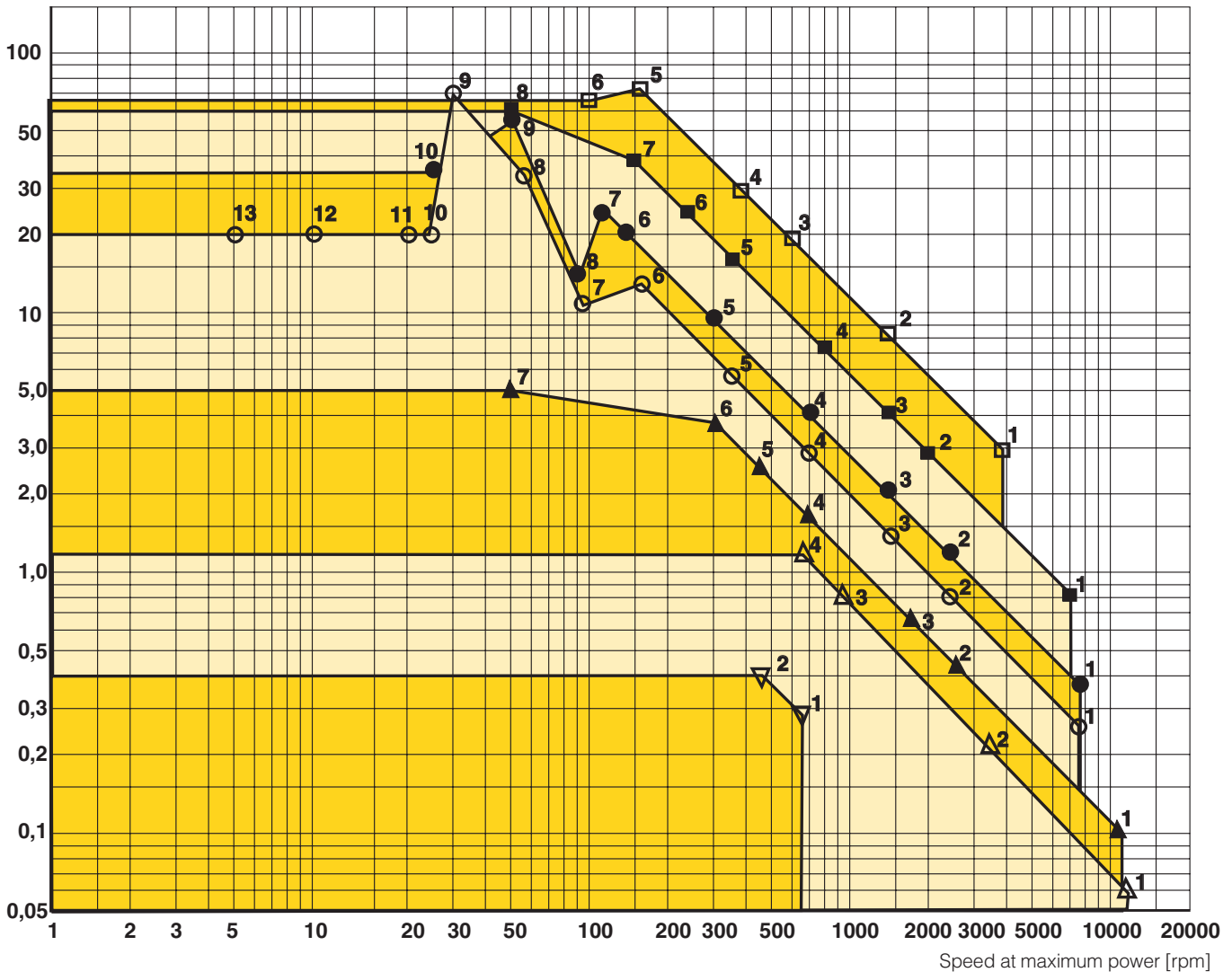
- Machinery Directive(essential health and safety requirements relating to the design and structure of machines and safety components)
- EMC Directive
- Simple Pressure Vessels Directive
- Low Voltage Directive
- ATEX Directive (ATEX = ATmosphere EXplosive)



* The specified hours of operation apply when the motor is running at the speed corresponding to maximum power (load speed). This is approximately half free speed. If the motor operates at higher speeds, the service interval is shorter. If the motor operates at lower speeds, the service interval is longer.

Choice of air motor

Torque at maximum power [Nm]



The motor to be used should be selected by starting with the torque needed at a specific shaft speed. In other words, to choose the right motor, you have to know the required speed and torque. Since maximum power is reached at half the motor's free speed, the motor should be chosen so that the operating point is as close as possible to the maximum power of the motor.

The design principle of the motor means that higher torque is generated when it is braked, which tends to increase the speed, etc. This means that the motor has a kind of speed self-regulation function built in.

Use the above graph to choose the correct motor size. The graph contains the points for the maximum torque of each motor at maximum output. Add your operating point to the graph, then select a marked point above and to the right of your point.

Then use the correct working diagram of the chosen motor to get more detailed technical data. Always select a motor whose requisite technical data are in the shaded area. Also use the correction diagram to find out what operation with different supply pressures would mean for the motor.

Tip: Select a motor which is slightly too fast and powerful, then regulate its speed and torque with a pressure regulator and/or throttle to achieve the optimum working point.

Air motors in diagram above

- ▽ 1 P1V-S002A0130
 - ▽ 2 P1V-S002A0095
- Graphs for each motor, see page 21.

20 Watt



- △ 1 P1V-S008A0Q00
 - △ 2 P1V-S008A0700
 - △ 3 P1V-S008A0190
 - △ 4 P1V-S008A0130
- Graphs for each motor, see page 21.

80 Watt



- ▲ 1 P1V-S012A0N00, P1V-S012D0N00
 - ▲ 2 P1V-S012A0550, P1V-S012D0550
 - ▲ 3 P1V-S012A0360, P1V-S012D0360
 - ▲ 4 P1V-S012A0140, P1V-S012D1400
 - ▲ 5 P1V-S012A0090, P1V-S012D0090
 - ▲ 6 P1V-S012A0060, P1V-S012D0060
 - ▲ 7 P1V-S012A0010, P1V-S012D0010
- Graphs for each motor, see page 23.

120 Watt



- 1 P1V-S020A0E50, P1V-S020D0E50
 - 2 P1V-S020A0460, P1V-S020D0460
 - 3 P1V-S020A0240, P1V-S020D0240
 - 4 P1V-S020A0140, P1V-S020D0140
 - 5 P1V-S020A0070, P1V-S020D0070
 - 6 P1V-S020A0035, P1V-S020D0035
 - 7 P1V-S020A0018, P1V-S020D0018
 - 8 P1V-S020A0011
 - 9 P1V-S020A0006
 - 10 P1V-S020A0005, P1V-S020D0005
 - 11 P1V-S020A0002
 - 12 P1V-S020A0001
 - 13 P1V-S020A00005
- Graphs for each motor, see page 25.

200 Watt



- 1 P1V-S030A0E50, P1V-S030D0E50
 - 2 P1V-S030A0460, P1V-S030D0460
 - 3 P1V-S030A0240, P1V-S030D0240
 - 4 P1V-S030A0140, P1V-S030D0140
 - 5 P1V-S030A0060, P1V-S030D0060
 - 6 P1V-S030A0028, P1V-S030D0028
 - 7 P1V-S030A0023
 - 8 P1V-S030A0018, P1V-S030D0018
 - 9 P1V-S030A0010
 - 10 P1V-S030A0005, P1V-S030D0005
- Graphs for each motor, see page 27.

300 Watt



- 1 P1V-S060A0E00
 - 2 P1V-S060A0400
 - 3 P1V-S060A0270
 - 4 P1V-S060A0170
 - 5 P1V-S060A0072
 - 6 P1V-S060A0048
 - 7 P1V-S060A0030
 - 8 P1V-S060A0010
- Graphs for each motor, see page 29.

600 Watt



- 1 P1V-S120A0800
 - 2 P1V-S120A0270
 - 3 P1V-S120A0110
 - 4 P1V-S120A0078
 - 5 P1V-S120A0032
 - 6 P1V-S120A0012
- Graphs for each motor, see page 31.

1200 Watt



Technical data



Working pressure	Max 7 bar (max 6 bar in explosive atmospheres)	
Working temperature	-30 °C to +100 °C	
Ambient temperature	-20 °C to +40 °C	
Medium	in explosive atmospheres	
	40 µm filtered, oil mist or dry unlubricated compressed air	

Table and diagram data

All values are typical values, with a tolerance of ±10%

Option

Other variants on request

Material specification

Planetary gearbox for:	
P1V-S060A0010 /30 /48	
P1V-S120A0012 /32	Stainless steel, X46Cr13
Planetary gearbox for last planet stage incl. installation flange	
P1V-S020A0011 /06	
P1V-S030A0023 /10	Black oxidised steel (not stainless)
All other housings	Stainless steel, X12CrMoS17
Spindle*	Hardened stainless steel, X20Cr13
Key*	Hardened stainless steel X6CrNiMoTi17-12-2
External seal	Fluor rubber, FPM
Internal steel parts	High grade steel (not stainless)
Planetary gear grease	USDA-h1 approved
* P1V-S020A0011/06 and P1V-S030A0023/10	
Key and Shaft	High grade steel (not stainless)
Screws in housing	
in last planet stage	Surface treated steel (not stainless)
Flange bracket	Stainless steel, X12CrMoS17
Foot bracket	Stainless steel, X5CrNi18
Screws for bracket	Stainless steel DIN A2

Choice of vanes

0 = Standard

Standard vanes = These motors are of the vane type for intermittent lubrication-free operation. They can operate 70% of the time for up to 15 minutes without lubrication. With lubrication, these motors can operation 100% of the time.

Z = Spring loaded (standard) vanes

Standard vanes = These motors are of the vane type for intermittent lubrication-free operation. They can operate 70% of the time for up to 15 minutes without lubrication. With lubrication, these motors can operation 100% of the time.

Spring loaded vanes = All vanes are spring loaded to ensure that they remain pressed against the cylinder when the motor stops. The spring loaded vane option also prevents the vanes from sliding down in their track if vibration is introduced. The spring loaded vanes therefore provide a higher starting torque, improved starting and low speed characteristics, because the leakage over the vanes is reduced to a minimum.

C = Vanes for continuous lubrication-free operation

C vanes = This motor is equipped with vanes for continuous lubrication-free operation. (To obtain the longest possible service life, we recommend no oil in the air.)

M = Multi (combination of Z+C)

C vanes = This motor is equipped with vanes for continuous lubrication-free operation. (To obtain the longest possible service life, we recommend no oil in the air.)

Spring loaded vanes = All vanes are spring loaded to ensure that they remain pressed against the cylinder when the motor stops. The spring loaded vane option also prevents the vanes from sliding down in their track if vibration is introduced. The spring loaded vanes therefore provide a higher starting torque, improved starting and low speed characteristics, because the leakage over the vanes is reduced to a minimum.

Order key

P1V-S
020
A
0
E50

	Motor size
002	20 W
008	80 W
012	120 W
020	200 W
030	300 W
060	600 W
120	1200 W

	Air motor range
P1V-S	Stainless vane motor

	Function
A	Keyed shaft, reversible
D	Threaded shaft, reversible


	Optional functions
0	Standard
C*	Continuous lubrication-free operation
Z*	Spring loaded vanes
M*	Multi: combination of C+Z
D**	Standard with brake
E**	Option C with brake
F**	Option Z with brake
G**	Option M with brake

* Not for P1V-S002 and P1V-S008
** Only for P1V-S020 and P1V-S030

	Free speed per min
0005	5
001	10
999	9990
A00	10000
E00	14000
E50	14500
N00	22000
Q00	24000

Possible combinations

Please refer to pages 20 to 34.



15

www.parker.com/euro_pneumatic

07.10

Introduction to the ATEX directive

Explosive atmospheres

Directive 94/9/EC defines an explosive atmosphere as a mixture of:

- a) **flammable substances** – gases, vapours, mists or dusts
 - b) with **air**
 - c) under specific **atmospheric conditions**
 - d) in which, after ignition has occurred, combustion spreads to the entire flammable mixture
- (NB: with regard to dust, it may be that not all dust is combusted after ignition has occurred)

An atmosphere with the potential to become an explosive atmosphere during operating conditions and/or under the influence of the surroundings is defined as a **potentially explosive atmosphere**. Products covered by directive 94/9/EC are defined as intended for use in potentially explosive atmospheres.

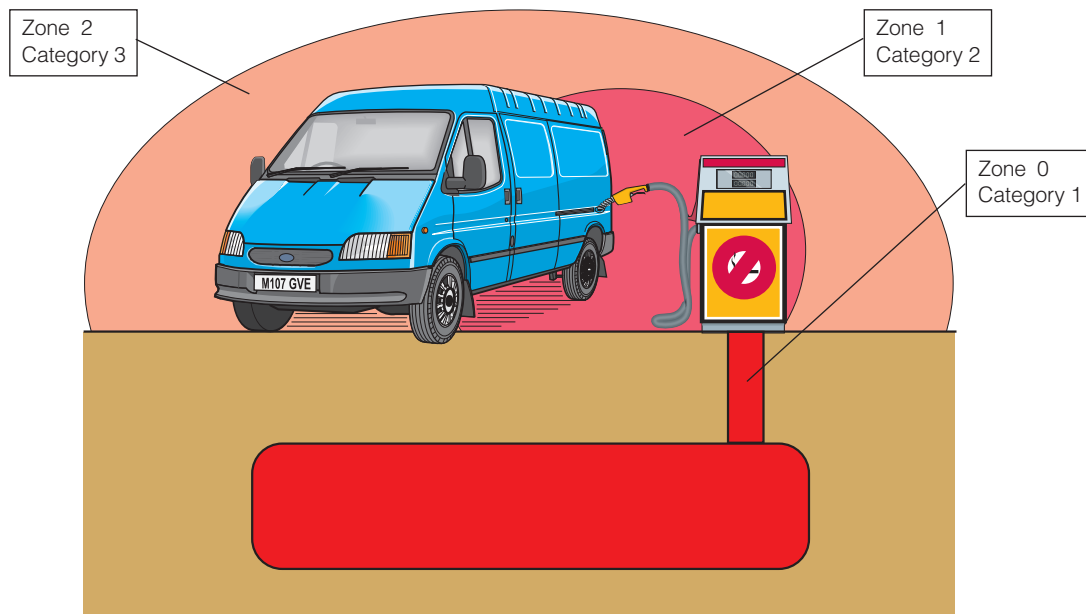
Harmonised European ATEX standard

The European Union has adopted two harmonised directives in the field of health and safety. The directives are known as ATEX 100a and ATEX 137.

Directive ATEX 100a (94/9/EC) lays down minimum safety requirements for products intended for use in potentially explosive atmospheres in European Union member states. Directive ATEX 137 (99/92/EC) defines minimum requirements for health and safety at the workplace, for working conditions and for the handling of products and materials in potentially explosive atmospheres. This directive also divides the workplace into **zones** and defines criteria by which products are **categorised** within these zones.

The table below describes the **zones** in an installation where there is a potential for explosive atmospheres. The **owner** of the installation must analyse and assess the area in which the explosive gas/dust mixture may occur, and if necessary must divide it into **zones**. This process of zoning then allows the correct plant and equipment to be selected for use in the area.

The ATEX directive has been in force throughout the European Union



Zones		Presence of potentially explosive atmosphere	Type of risk
Gas G	Dust D		
0	20	Present continuously or for long periods	Permanent
1	21	Likely to occur in normal operation occasionally	Potential
2	22	Not likely to occur in normal operation but, if it does occur, will persist for a short period only	Minimal

since 1 July 2003, replacing the existing divergent national and European legislation relating to explosive atmospheres. Please note that for the first time, the directive covers mechanical, hydraulic and pneumatic equipment and not just electrical equipment as before.

With regard to the **Machinery directive** 98/37/EC, note that a number

of external requirements in 94/9/EC refer to hazards arising from potentially explosive atmospheres, where the Machinery directive only contains general requirements relating to explosion safety (Annex I 1.5.7).

As a result, directive 94/9/EC (ATEX 100a) takes precedence over the Machinery directive with regard to explosion protection in potentially explosive atmospheres. The requirements in the Machinery directive are applicable to all other risks relating to machinery.

Levels of protection for the various equipment categories

The various equipment categories must be capable of operating in accordance with the manufacturer's operating specifications at defined levels of protection.

Level of protection	Category		Type of protection	Operating specifications
	Group I	Group II		
Very high	M1		Two independent means of protection or safety, ensuring that the equipment remains functional even in the event of two faults occurring independently of each other	The equipment remains energised and functional even with an explosive atmosphere present
Very high		1	Two independent means of protection or safety, ensuring that the equipment remains functional even in the event of two faults occurring independently of each other	The equipment remains energised and functional in zones 0, 1, 2 (G) and/or zones 20, 21, 22 (D)
High	M2		Protection suitable for normal operation and severe operating conditions	The equipment is de-energised in the event of an explosive atmosphere
High		2	Protection suitable for normal operation and frequent faults, or equipment in which faults normally have to be taken into account	The equipment remains energised and functional in zones 1, 2 (G) and/or zones 21, 22 (D)
Normal		3	Protection suitable for normal operation	The equipment remains energised and functional in zones 2 (G) and/or zones 22 (D)

Definition of groups (EN 1127-1)

Group I Equipment intended for use in underground parts of mines as well as those parts of surface installations of such mines likely to be endangered by flammable vapours and/or flammable dusts.

Group II Equipment intended for use in other places exposed to explosive atmospheres.

Group	I mines, combustible vapours		II other potentially explosive atmospheres (gases, dust)					
	M1	M2	1		2		3	
Category								
Atmosphere*			G	D	G	D	G	D
Zone			0	20	1	21	2	22

G = gas and D = dust

Temperature classes

Classification of flammable gases and vapours on the basis of ignition temperature

Temperature class	Ignition temperature °C
T1	Over 450
T2	(300) – 450
T3	(200) – 300
T4	(135) – 200
T5	(100) – 135
T6	(85) - 100

Declaration of conformity

The product catalogues contain copies of the declaration of conformity demonstrating that the product meets the requirements of directive 94/9/EC.

The declaration is only valid in conjunction with the instructions contained in the installation manual relating to the safe use of the product throughout its service life.

The instructions relating to the conditions in the surrounding area are particularly important, as the certificate is invalidated if the instructions are found not to have been adhered to during operation of the product. If there is any doubt as to the validity of the certificate of conformity, contact Parker Hannifin customer service.

Operation, installation and maintenance

The installation manual of the product contains instructions relating to the safe storage, handling, operation and servicing of the product.

The manual is available in different languages, and can be downloaded from www.parker.com/euro_pneumatic.

This document must be made accessible in a suitable place near where the product is installed. It is used as a reference for all personnel authorised to work with the product throughout its service life.

We, the manufacturer, reserve the right to modify, extend or improve the installation manual in the interests of the users.

For more information about ATEX see EUs homepage: <http://europa.eu.int/comm/enterprise/atex/>



Additional safety instructions for installation in explosive atmospheres

Serious, even fatal, damage or injury may be caused by the hot moving parts of the P1V-S motors in the presence of explosive gas mixtures and concentrations of dust.

All installation, connection, commissioning, servicing and repair work on P1V-S motors must be carried out by qualified personnel taking account of the following

- These instructions
- Notices on the motor
- All other planning documents, commissioning instructions and connection diagrams associated with the application.
- Provisions and requirements specific to the application
- Applicable national/international regulations (explosion protection, safety and accident prevention)

Real life applications

P1V-S motors are designed to provide rotary movement in industrial applications, and should only be used in accordance with the instructions in the technical specifications in the catalogue, and within the operating range indicated on the motor housing. The motors meet the applicable standards and requirements of the Machinery Directive 94/9/EC (ATEX)

The motors must not be used as brakes in explosive atmospheres.

Braking involves driving the motor against the direction of rotation for which the motor is supplied with compressed air. The motor is then operating as a compressor, and there is a corresponding increase in temperature.

The motors must **not** be used underground in mines susceptible to firedamp and/or combustible dust. The motors are intended for use in areas in which explosive atmospheres caused by gases, vapours or mists of combustible liquids, or air/dust mixtures may be expected to occur during normal use (infrequently)

Checklist

Before using the motors in a potentially explosive atmosphere, you should check the following:

Do the motor specifications match the classification of the area of use in accordance with Directive 94/9/EG (previously ATEX 100a)

- Equipment group
- Equipment category
- Zone
- Temperature class
- Max. surface temperature

1. When installing the motor, is it certain that there is no potentially explosive atmosphere, oil, acids, gases, vapours or radiation?
2. Is the ambient temperature as specified in the technical data in the catalogue at all times?
3. Is it certain that the P1V-S motor is adequately ventilated and that no additional heat is added (for example in the shaft connection)?
4. Are all the driven mechanical components ATEX certified?

Installation requirements in potentially explosive atmospheres

- The temperature of the supply air must not exceed the ambient temperature.
- The P1V-S may be installed in any position.
- An air treatment unit must be attached to the inlet of the P1V-S air motor.
- In a potentially explosive atmosphere, none of the motor ports may be blocked because this may cause an increase in temperature. The air from the port must be taken to the silencer or, preferably, outside the potentially explosive area.
- The P1V-S motor must be connected to ground at all times, through its support, a metallic tube or separate conductor.
- The outlet of the P1V-S motor must not open within a potentially explosive area, but must be passed to the silencer or, preferably, removed and released outside the potentially explosive area.
- The P1V-S motor may only drive units that are ATEX certified.
- Ensure that the motor is not exposed to forces greater than those permitted in accordance with the catalogue.

Measuring the temperature on the outside of the P1V-S motor (only when used in potentially explosive areas)

During the commissioning process, it is essential to measure temperature increases at the indicated positions on the outside of the P1V-S motor.

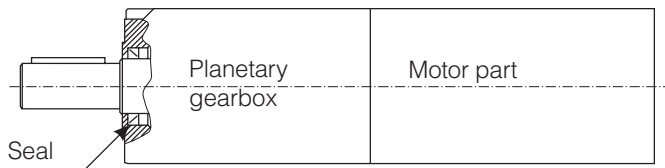
These measurements can be taken using standard thermometers.

Checking the motor during operation

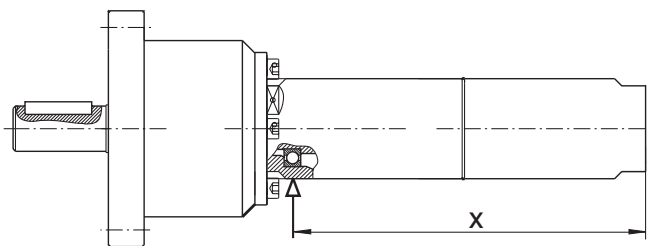
The motor must be kept clean on the outside, and a layer of dirt thicker than 5 mm must never be allowed to form. Strong solvents should not be used for cleaning, because they can cause the seal (material NBR/FPM) around the drive shaft to swell, potentially increasing the temperature.

For the P1V-S012, P1V-S020, P1V-S030 and P1V-S060 series

The temperature is measured on the metal surface next to the seal around the output shaft on all P1V-S012, P1V-S020, P1V-S030 and P1V-S060 motors



Motors P1V-S020A0011, P1V-S020A0006, P1V-S030A0023 and P1V-S030A0010



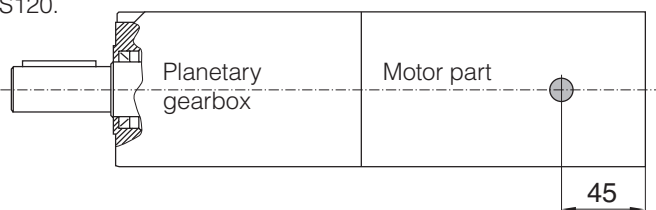
Motor	x [mm]
P1V-S020A0011	133
P1V-S020A0006	133
P1V-S030A0023	146
P1V-S030A0010	147,5

The maximum temperature is reached after approximately 1,5 hours of operation, and the difference in temperature between the motor and the ambient temperature must not exceed 40 °C.

If the temperature difference at the seal of a P1V-S012, P1V-S020, P1V-S030 or P1V-S060 exceeds 40 °C, you should stop the motor immediately and contact Parker Hannifin.

The following applies to the P1V-S120 series:

The temperature is measured on the metal surface at a point 45 mm from the port end of the motor housing, on all P1V-S120.



The maximum temperature is reached after approximately 1,5 hours of operation, and the difference in temperature between the motor and the ambient temperature must not exceed 55 °C.

If the temperature difference at this point on a P1V-S120 exceeds 55 °C, you should stop the motor immediately and contact Parker Hannifin.

Marking of products

For all P1V-S012, P1V-S020, P1V-S030 and P1V-S060

CE Ex II 2 GD c IIC T6 (80 °C) X

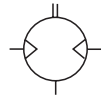
For the P1V-S120

CE Ex II 2 GD c IIC T5 (95 °C) X

- CE** Communauté Européenne = EU
CE marking shows that as a manufacturer, Parker Hannifin meets the guidelines specified by the EU
- Ex** means that this product is intended for use in a potentially explosive area
- II** stands for the equipment group (I = mines and II = other places liable to be endangered)
- 2GD** stands for equipment category
2G means the equipment can be used in zones 1 and 2 where there is a risk involving gas, vapour or mist of combustible liquids and **2D** in zones 21 and 22 where there is a risk involving dust .
2GD means the equipment can be used in zones 1, 2, 21 and 22.
- c** Safe design (prEN 13463-5)
- IIC** Explosion group, P1V-S air motors are tested to the highest standards in terms of test gases, and can be installed in the presence of all gases without restriction.
- T6** If equipment is in temperature class **T6**, the maximum surface temperature must not exceed 85 °C. (To guarantee this, the product has been tested to ensure that the maximum is 80 °C. This provides a safety margin of 5 °K.)
- T5** If equipment is in temperature class **T5**, the maximum surface temperature must not exceed 100 °C. (To guarantee this, the product has been tested to ensure that the maximum is 95 °C. This provides a safety margin of 5 °K.)
- (80 °C)** Maximum permitted surface temperature on the motor in atmospheres containing potentially explosive dust.
- X** Note special conditions

Test certificate number IBExU04ATEXB004 X from IBExU Institut für Sicherheitstechnik GmbH, D-09599 Freiberg, Germany

NOTE! All technical data is based on a working pressure of 6 bar.



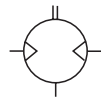
Data for reversible air motor with keyed shaft, P1V-S002A series

Max power	Free speed	Speed at max power	Torque at max power	Min start torque	Air consumption at max power	Conn.	Min pipe ID	Weight	Order code
kW	rpm	rpm	Nm	Nm	l/s		mm	Kg	
0,02	1300	650	0,29	0,44	1,7	M5	3	0,16	P1V-S002A0130
0,02	950	475	0,40	0,60	1,7	M5	3	0,16	P1V-S002A0095

NOTE! Not with vane options C, Z or M.
The P1V-S002A and P1V-S008A require oil mist for lubricating the gearbox.

Installation brackets, see page 35
Dimensions, see page 36
Permitted shaft loadings, see page 60
Service kits, see page 62

NOTE! All technical data is based on a working pressure of 6 bar.



Data for reversible air motor with keyed shaft, P1V-S008A series

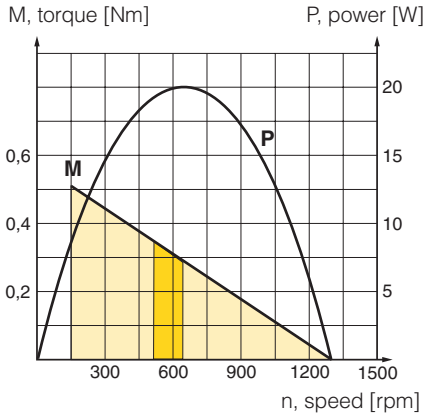
Max power	Free speed	Speed at max power	Torque at max power	Min start torque	Air consumption at max power	Conn.	Min pipe ID	Weight	Order code
kW	rpm	rpm	Nm	Nm	l/s		mm	Kg	
0,08	24000	12000	0,06	0,09	3,5	M8x0,75*	4	0,22	P1V-S008A0Q00
0,08	7000	3500	0,22	0,33	3,5	M8x0,75*	4	0,22	P1V-S008A0700
0,08	1900	950	0,80	1,20	3,5	M8x00,75*	4	0,22	P1V-S008A0190
0,08	1300	650	1,20	1,80	3,5	M8x0,75*	4	0,22	P1V-S008A0130

* 3 push in nipples (F28PMB6M8SP) for plastic pipe Ø6/4 supplied

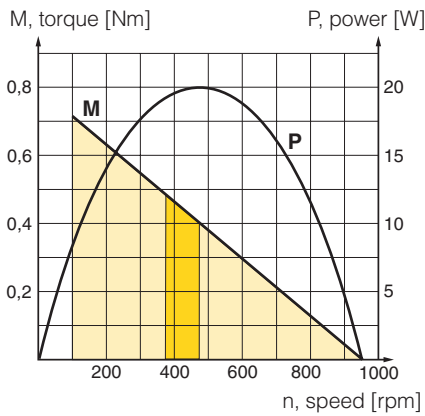
NOTE! Not with vane options C, Z or M.
The P1V-S002A and P1V-S008A require oil mist for lubricating the gearbox.

Installation brackets, see page 35
Dimensions, see page 36
Permitted shaft loadings, see page 60
Service kits, see page 62

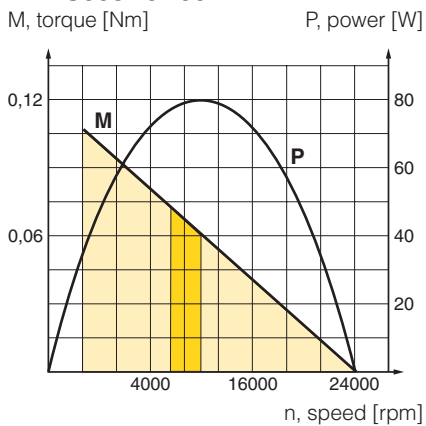
P1V-S002A0130



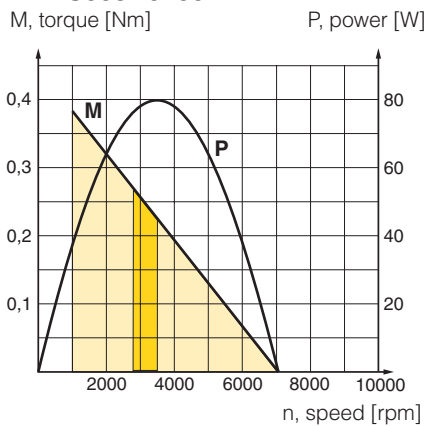
P1V-S002A0095



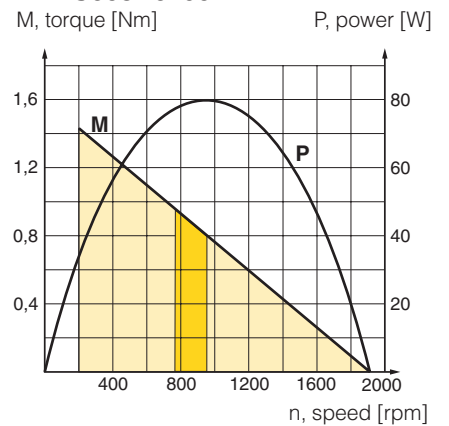
P1V-S008A0N00



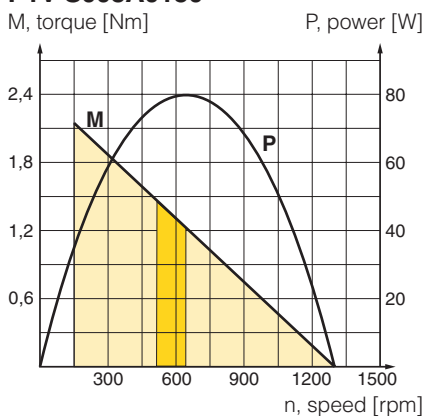
P1V-S008A0700




P1V-S008A0190



P1V-S008A0130

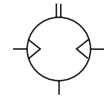


 Possible working range of motor.

 Optimum working range of motor.

Higher speeds = more vane wear
Lower speeds with high torque = more gearbox wear

NOTE! All technical data is based on a working pressure of 6 bar.



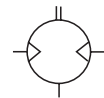
CE Ex II2 GD c IIC T6 (80 °C) X

Data for reversible air motor with keyed shaft, P1V-S012A series

Max power	Free speed	Speed at max power	Torque at max power	Min start torque	Air consumption at max power	Conn.	Min pipe ID	Weight	Order code
kW	rpm	rpm	Nm	Nm	l/s		mm	Kg	
0,120	22000	11000	0,10	0,15	5,0	G1/8	6	0,350	P1V-S012A0N00
0,120	5500	2750	0,42	0,63	5,0	G1/8	6	0,350	P1V-S012A0550
0,120	3600	1800	0,64	0,95	5,0	G1/8	6	0,350	P1V-S012A0360
0,120	1400	700	1,64	2,40	5,0	G1/8	6	0,400	P1V-S012A0140
0,120	900	450	2,54	3,80	5,0	G1/8	6	0,400	P1V-S012A0090
0,120	600	300	3,82	5,00*	5,0	G1/8	6	0,400	P1V-S012A0060
0,090	100	50	5,00*	5,00*	5,0	G1/8	6	0,450	P1V-S012A0010

* Max permitted torque

In all P1V-S012 motors, torques exceeding 5 Nm may cause damage to the gearbox (e.g. when driving against a fixed stop or large oscillating weight)



CE Ex II2 GD c IIC T6 (80 °C) X

Data for reversible air motor with threaded shaft, P1V-S012D series

Max power	Free speed	Speed at max power	Torque at max power	Min start torque	Air consumption at max power	Conn.	Min pipe ID	Weight	Order code
kW	rpm	rpm	Nm	Nm	l/s		mm	Kg	
0,120	22000	11000	0,10	0,15	5,0	G1/8	6	0,350	P1V-S012D0N00
0,120	5500	2750	0,42	0,63	5,0	G1/8	6	0,350	P1V-S012D0550
0,120	3600	1800	0,64	0,95	5,0	G1/8	6	0,350	P1V-S012D0360
0,120	1400	700	1,64	2,40	5,0	G1/8	6	0,400	P1V-S012D0140
0,120	900	450	2,54	3,80	5,0	G1/8	6	0,400	P1V-S012D0090
0,120	600	300	3,82	5,00*	5,0	G1/8	6	0,400	P1V-S012D0060
0,090	100	50	5,00*	5,00*	5,0	G1/8	6	0,450	P1V-S012D0010

* Max permitted torque

In all P1V-S012 motors, torques exceeding 5 Nm may cause damage to the gearbox (e.g. when driving against a fixed stop or large oscillating weight)

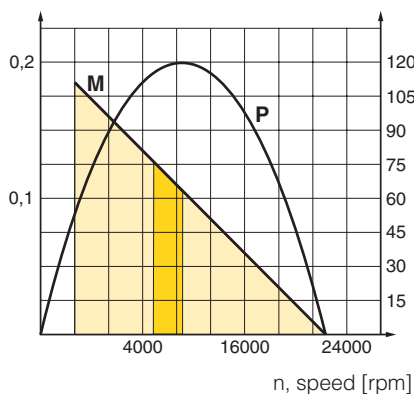
NOTE!

The P1V-S012D with threaded shaft may be reversed, but when operated anticlockwise, there is a risk that the driven unit may disconnect if it is not locked properly.

Installation brackets, see page 35
Dimensions, see page 37
Permitted shaft loadings, see page 60
Service kits, see page 62

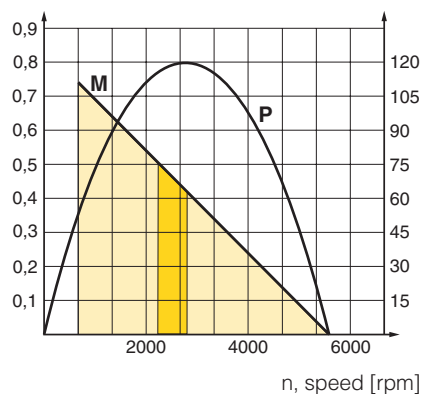
P1V-S012A0N00 P1V-S012D0N00

M, torque [Nm] P, power [W]



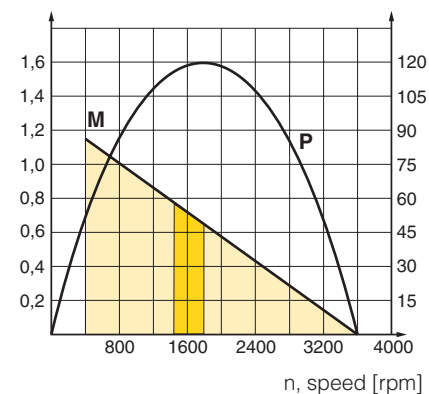
P1V-S012A0550 P1V-S012D0550

M, torque [Nm] P, power [W]



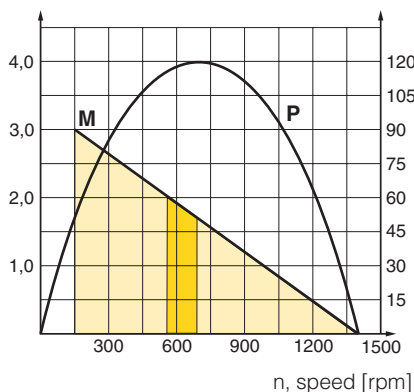
P1V-S012A0360 P1V-S012D0360

M, torque [Nm] P, power [W]



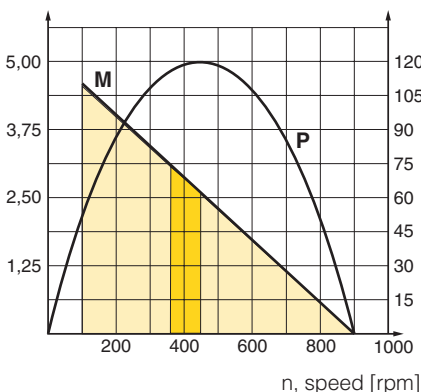
P1V-S012A0140 P1V-S012D0140

M, torque [Nm] P, power [W]



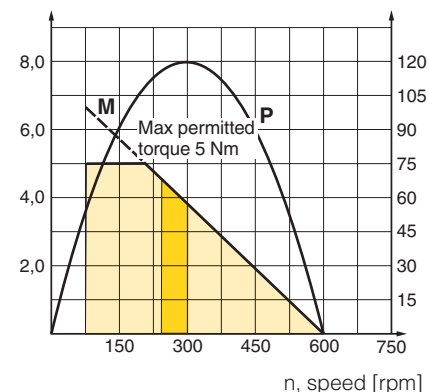
P1V-S012A0090 P1V-S012D0090

M, torque [Nm] P, power [W]



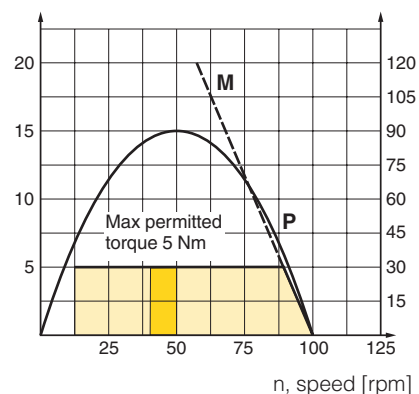
P1V-S012A0060 P1V-S012D0060

M, torque [Nm] P, power [W]



P1V-S012A0010 P1V-S012D0010

M, torque [Nm] P, power [W]



 Possible working range of motor.

 Optimum working range of motor.

Higher speeds = more vane wear
Lower speeds with high torque = more gearbox wear

NOTE! All technical data is based on a working pressure of 6 bar.

CE Ex II2 GD c IIC T6 (80 °C) X



Data for reversible air motor with keyed shaft, P1V-S020A series

Max power	Free speed	Speed at max power	Torque at max power	Min start torque	Air consumption at max power	Conn.	Min pipe ID	Weight	Order code
kW	rpm	rpm	Nm	Nm	l/s		mm	Kg	
0,200	14500	7250	0,26	0,40	6,3	G1/8	10	0,700	P1V-S020A0E50
0,200	4600	2300	0,80	1,20	6,3	G1/8	10	0,750	P1V-S020A0460
0,200	2400	1200	1,60	2,40	6,3	G1/8	10	0,750	P1V-S020A0240
0,200	1400	700	2,70	4,10	6,3	G1/8	10	0,850	P1V-S020A0140
0,200	700	350	5,40	8,20	6,3	G1/8	10	0,850	P1V-S020A0070
0,200	350	160	12,00	18,00	6,3	G1/8	10	0,850	P1V-S020A0035
0,100	180	90	10,50	15,00	4,5	G1/8	10	0,850	P1V-S020A0018
0,200	110	55	33,00	49,50	6,3	G1/8	10	3,000	P1V-S020A0011
0,200	60	30	72,00	108,00*	6,3	G1/8	10	3,000	P1V-S020A0006
0,180	50	25	20,00*	20,00*	6,3	G1/8	10	0,950	P1V-S020A0005
0,180	20	–	20,00*	20,00*	6,3	G1/8	10	0,950	P1V-S020A0002
0,180	10	–	20,00*	20,00*	6,3	G1/8	10	1,050	P1V-S020A0001
0,180	5	–	20,00*	20,00*	6,3	G1/8	10	1,050	P1V-S020A00005

* Max permitted torque

CE Ex II2 GD c IIC T6 (80 °C) X



Data for reversible air motor with threaded shaft, P1V-S020D series

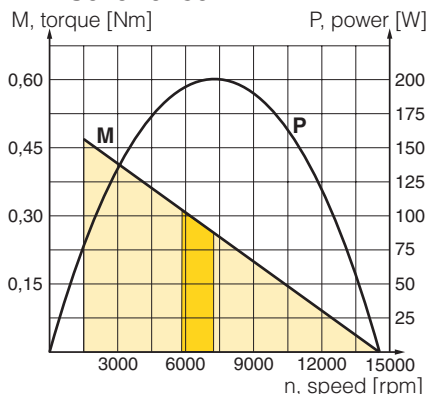
Max power	Free speed	Speed at max power	Torque at max power	Min start torque	Air consumption at max power	Conn.	Min pipe ID	Weight	Order code
kW	rpm	rpm	Nm	Nm	l/s		mm	Kg	
0,200	14500	7250	0,26	0,40	6,3	G1/8	10	0,700	P1V-S020D0E50
0,200	4600	2300	0,80	1,20	6,3	G1/8	10	0,750	P1V-S020D0460
0,200	2400	1200	1,60	2,40	6,3	G1/8	10	0,750	P1V-S020D0240
0,200	1400	700	2,70	4,10	6,3	G1/8	10	0,850	P1V-S020D0140
0,200	700	350	5,40	8,20	6,3	G1/8	10	0,850	P1V-S020D0070
0,200	350	160	12,00	18,00	6,3	G1/8	10	0,850	P1V-S020D0035
0,100	180	90	10,50	15,00	4,5	G1/8	10	0,850	P1V-S020D0018
0,180	50	25	20,00*	20,00*	6,3	G1/8	10	0,950	P1V-S020D0005

* Max permitted torque

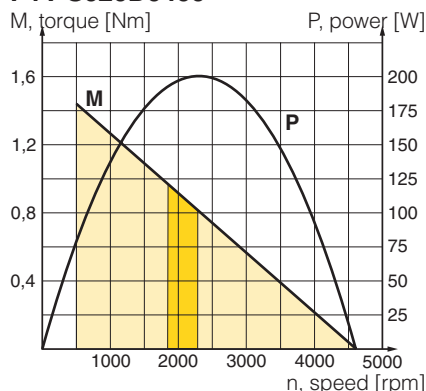
NOTE!
The P1V-S020D with threaded shaft may be reversed, but when operated anticlockwise, there is a risk that the driven unit may disconnect if it is not locked properly.

Installation brackets, see page 35
Dimensions, see page 38
Permitted shaft loadings, see page 60
Service kits, see page 62

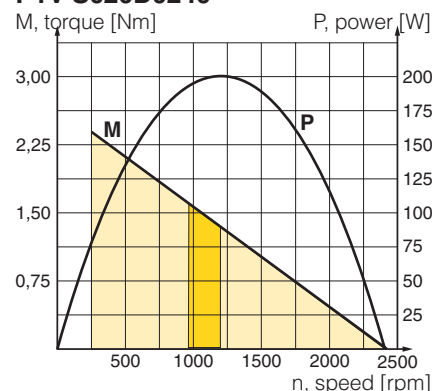
P1V-S020A0E50
P1V-S020D0E50



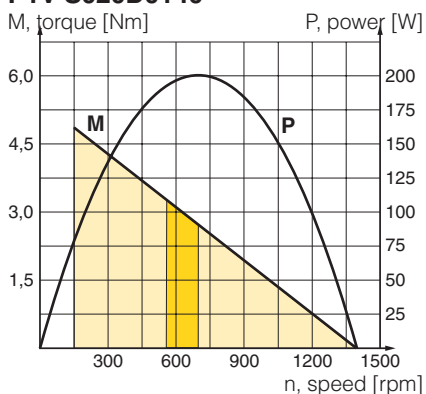
P1V-S020A0460,
P1V-S020D0460



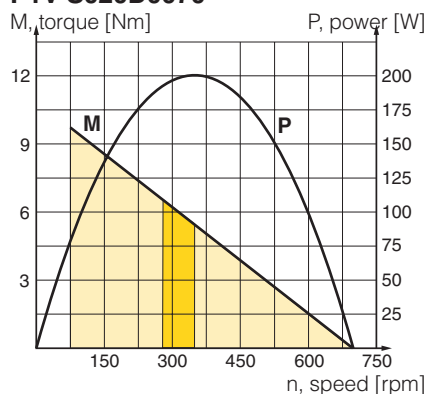
P1V-S020A0240
P1V-S020D0240



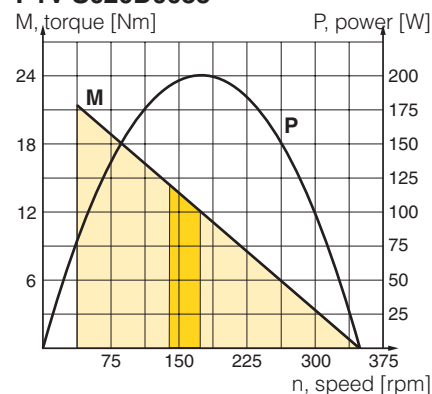
P1V-S020A0140
P1V-S020D0140



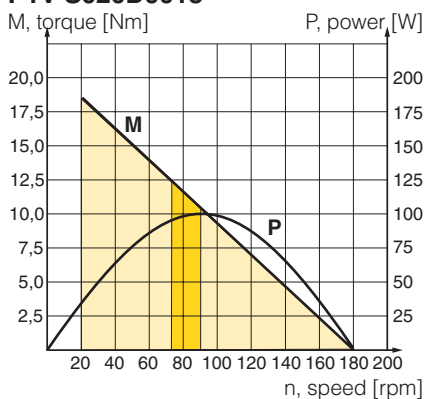
P1V-S020A0070
P1V-S020D0070



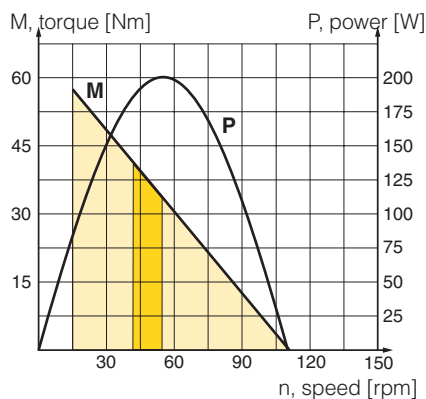
P1V-S020A0035
P1V-S020D0035



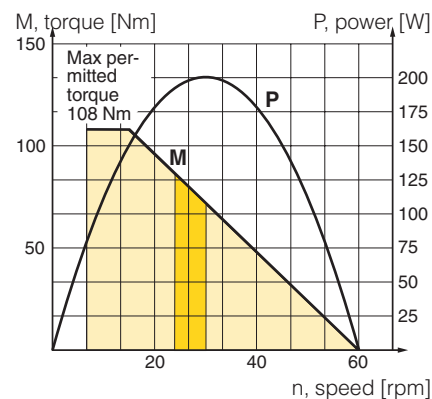
P1V-S020A0018
P1V-S020D0018



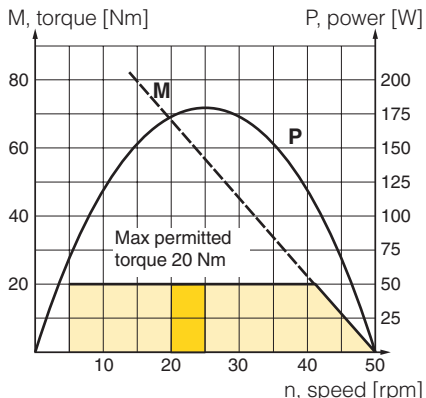
P1V-S020A0011



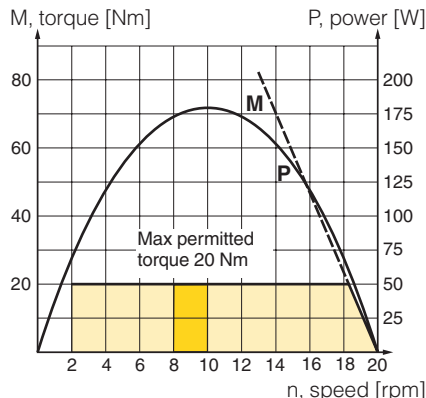
P1V-S020A0006



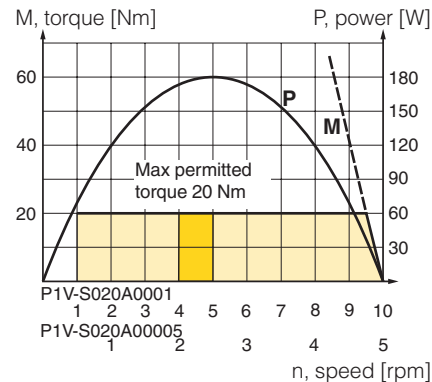
P1V-S020A0005
P1V-S020D0005

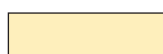



P1V-S020A0002



P1V-S020A0001
P1V-S020A00005



 Possible working range of motor.

 Optimum working range of motor.
Higher speeds = more vane wear
Lower speeds with high torque = more gearbox wear

NOTE! All technical data is based on a working pressure of 6 bar.

CE Ex II2 GD c IIC T6 (80 °C) X



Data for reversible air motor with keyed shaft, P1V-S030A series

Max power	Free speed	Speed at max power	Torque at max power	Min start torque	Air consumption at max power	Conn.	Min pipe ID	Weight	Order code
kW	rpm	rpm	Nm	Nm	l/s		mm	Kg	
0,300	14500	7250	0,40	0,60	8,0	G1/4	10	1,000	P1V-S030A0E50
0,300	4600	2300	1,20	1,90	8,0	G1/4	10	1,050	P1V-S030A0460
0,300	2400	1200	2,40	3,60	8,0	G1/4	10	1,050	P1V-S030A0240
0,300	1400	700	4,10	6,10	8,0	G1/4	10	1,100	P1V-S030A0140
0,300	600	300	9,60	14,30	8,0	G1/4	10	1,150	P1V-S030A0060
0,300	280	140	20,50	26,00	8,0	G1/4	10	1,150	P1V-S030A0028
0,300	230	115	24,00	36,00	8,0	G1/4	10	3,300	P1V-S030A0023
0,130	180	90	13,80	21,00	4,7	G1/4	10	1,150	P1V-S030A0018
0,300	100	50	57,00	85,50	8,0	G1/4	10	3,300	P1V-S030A0010
0,280	50	25	36,00*	36,00*	8,0	G1/4	10	1,250	P1V-S030A0005

* Max permitted torque

CE Ex II2 GD c IIC T6 (80 °C) X



Data for reversible air motor with threaded shaft, P1V-S030D series

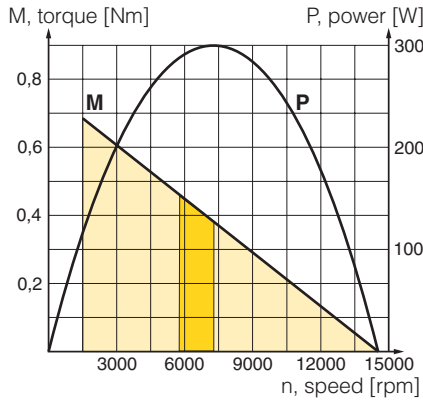
Max power	Free speed	Speed at max power	Torque at max power	Min start torque	Air consumption at max power	Conn.	Min pipe ID	Weight	Order code
kW	rpm	rpm	Nm	Nm	l/s		mm	Kg	
0,300	14500	7250	0,40	0,60	8,0	G1/4	10	1,000	P1V-S030D0E50
0,300	4600	2300	1,20	1,90	8,0	G1/4	10	1,050	P1V-S030D0460
0,300	2400	1200	2,40	3,60	8,0	G1/4	10	1,050	P1V-S030D0240
0,300	1400	700	4,10	6,10	8,0	G1/4	10	1,100	P1V-S030D0140
0,300	600	300	9,60	14,30	8,0	G1/4	10	1,150	P1V-S030D0060
0,300	280	140	20,50	26,00	8,0	G1/4	10	1,150	P1V-S030D0028
0,130	180	90	13,80	21,00	4,7	G1/4	10	1,150	P1V-S030D0018
0,280	50	25	36,00*	36,00*	8,0	G1/4	10	1,250	P1V-S030D0005

* Max permitted torque

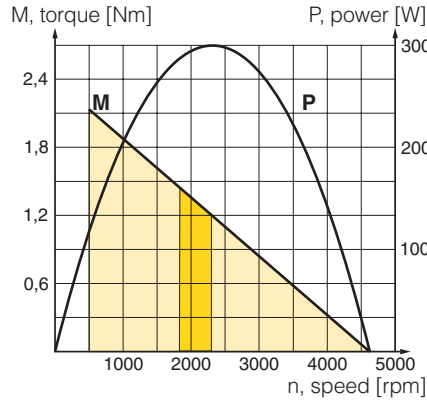
NOTE!
The P1V-S030D with threaded shaft may be reversed, but when operated anticlockwise, there is a risk that the driven unit may disconnect if it is not locked properly.

Installation brackets, see page 35
Dimensions, see page 39
Permitted shaft loadings, see page 60
Service kits, see page 62

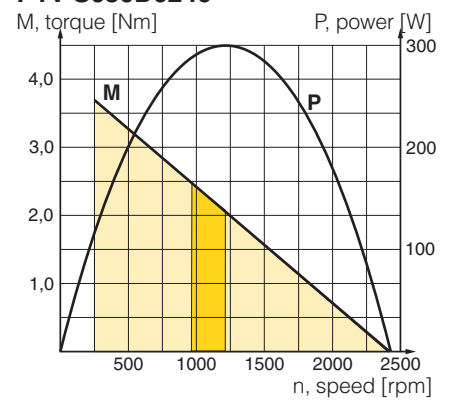
**P1V-S030A0E50
P1V-S030D0E50**



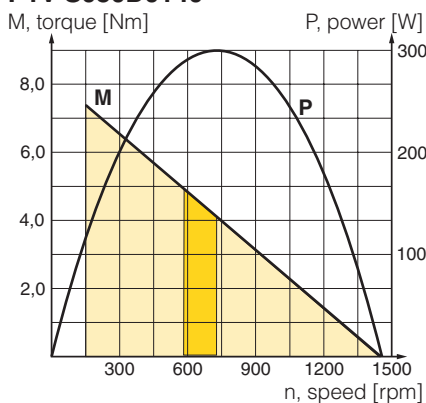
**P1V-S030A0460,
P1V-S030D0460**



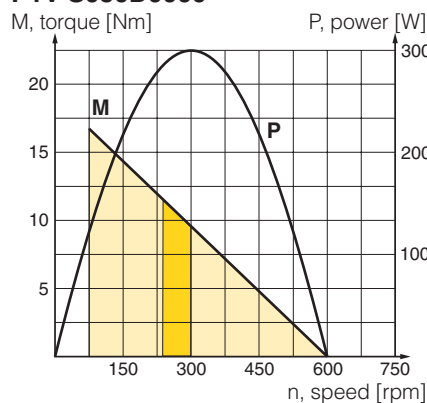
**P1V-S030A0240
P1V-S030D0240**



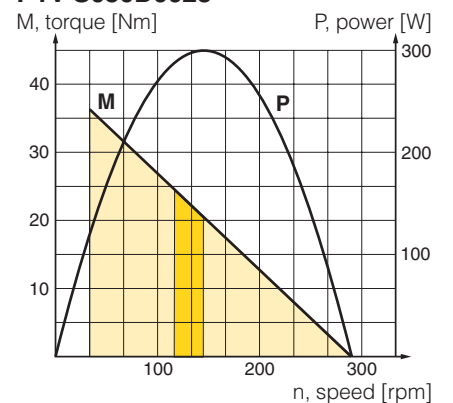
**P1V-S030A0140
P1V-S030D0140**



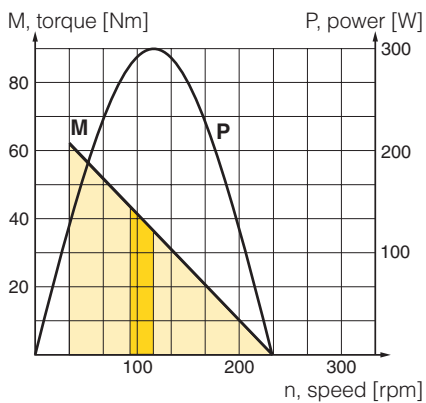
**P1V-S030A0060
P1V-S030D0060**



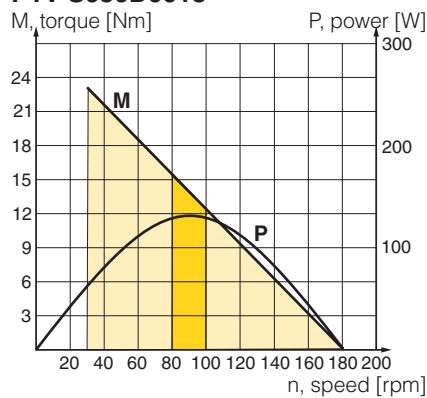
**P1V-S030A0028
P1V-S030D0028**



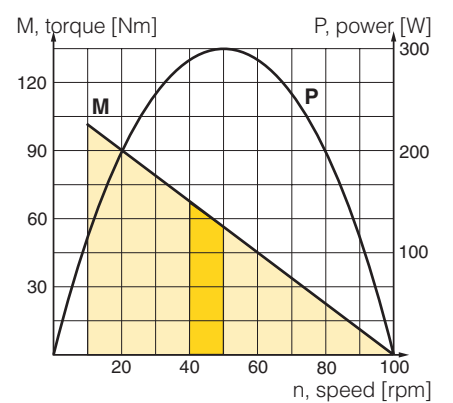
P1V-S030A0023



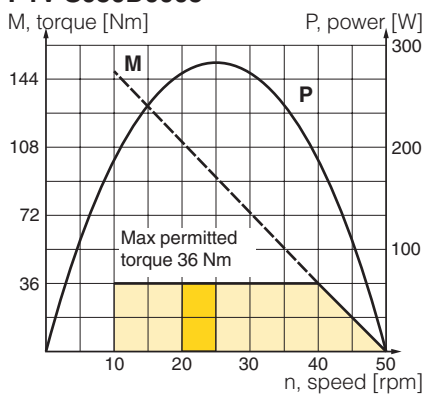
**P1V-S030A0018
P1V-S030D0018**

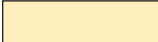



P1V-S030A0010



**P1V-S030A0005
P1V-S030D0005**



 Possible working range of motor.

 Optimum working range of motor.

Higher speeds = more vane wear
Lower speeds with high torque = more gearbox wear

NOTE! All technical data is based on a working pressure of 6 bar.



CE II2 GD c IIC T6 (80 °C) X

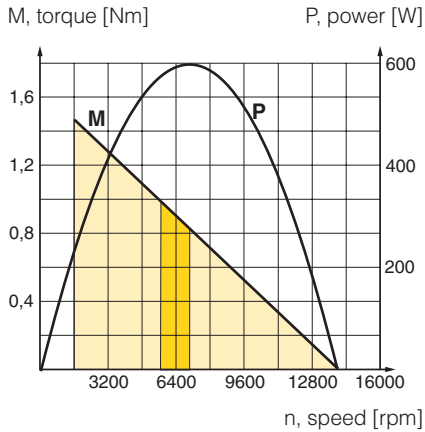
Data for reversible air motor with keyed shaft, P1V-S060A series

Max power	Free speed	Speed at max power	Torque at max power	Min start torque	Air consumption at max power	Conn.	Min pipe ID	Weight	Order code
kW	rpm	rpm	Nm	Nm	l/s		mm	Kg	
0,600	14000	7000	0,82	1,23	14,5	G3/8	12	2,000	P1V-S060A0E00
0,600	4000	2000	2,90	4,30	14,5	G3/8	12	2,100	P1V-S060A0400
0,600	2700	1350	4,20	6,40	14,5	G3/8	12	2,100	P1V-S060A0270
0,600	1700	850	6,70	10,10	14,5	G3/8	12	2,100	P1V-S060A0170
0,600	720	360	15,90	24,00	14,5	G3/8	12	2,200	P1V-S060A0072
0,600	480	240	23,90	36,00	14,5	G3/8	12	2,200	P1V-S060A0048
0,600	300	150	38,20	57,00	14,5	G3/8	12	2,300	P1V-S060A0030
0,300	100	50	60,00*	60,00*	13,0	G3/8	12	2,300	P1V-S060A0010

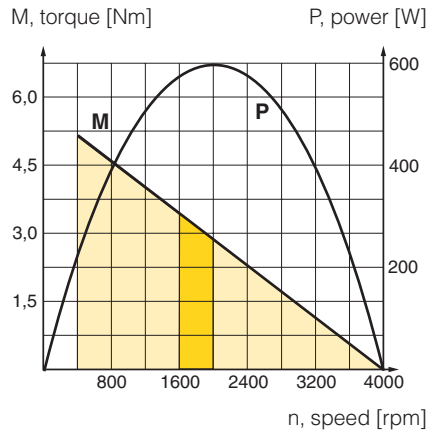
* Max permitted torque

Installation brackets, see page 35
 Dimensions, see page 40
 Permitted shaft loadings, see page 60
 Service kits, see page 62

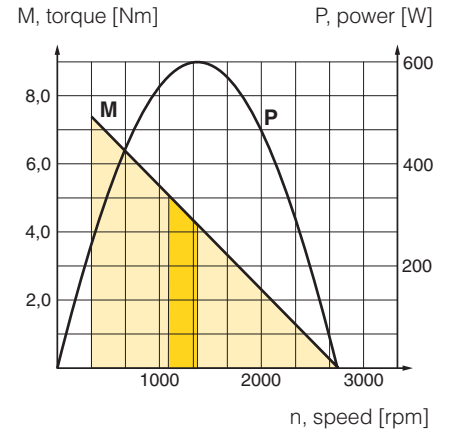
P1V-S060A0E00,



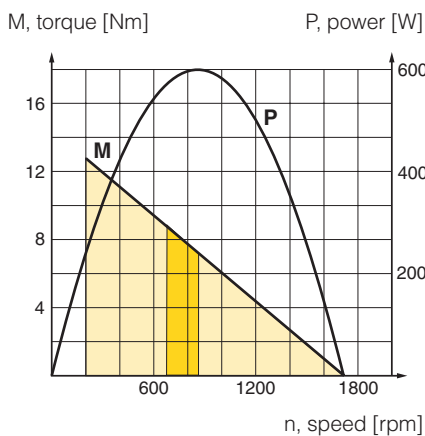
P1V-S060A0400



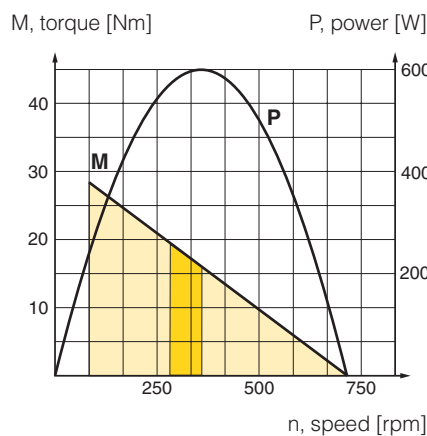
P1V-S060A0270



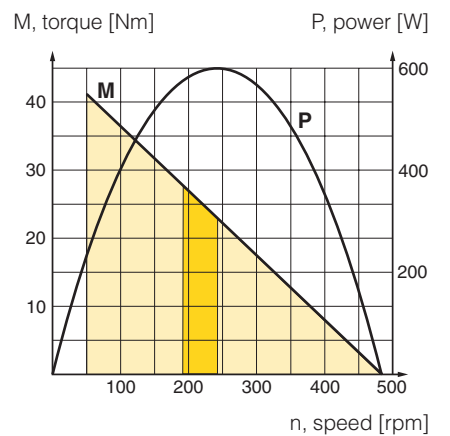
P1V-S060A0170,



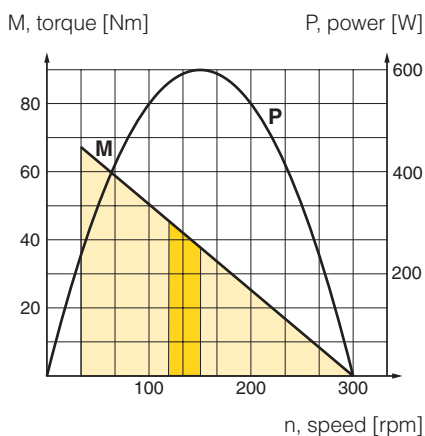
P1V-S060A0072



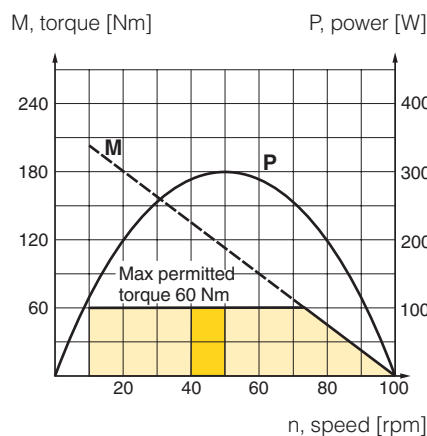
P1V-S060A0048



P1V-S060A0030



P1V-S060A0010



 Possible working range of motor.

 Optimum working range of motor.

Higher speeds = more vane wear
Lower speeds with high torque = more gearbox wear

NOTE! All technical data is based on a working pressure of 6 bar.

CE  II2 GD c IIC T5 (95 °C) X



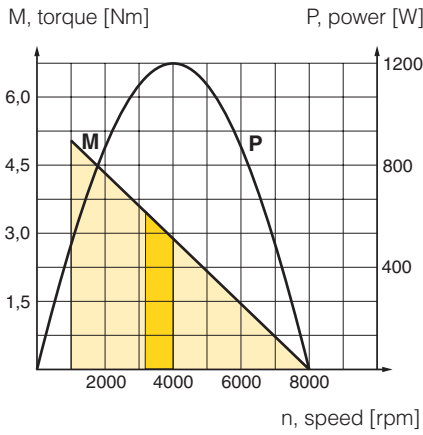
Data for reversible air motor with keyed shaft, P1V-S120A series

Max power	Free speed	Speed at max power	Torque at max power	Min start torque	Air consumption at max power	Conn.	Min pipe ID	Weight	Order code
kW	rpm	rpm	Nm	Nm	l/s		mm	Kg	
1,200	8000	4000	2,90	4,30	27	G3/4	19	5,5	P1V-S120A0800
1,200	2700	1350	8,50	12,70	27	G3/4	19	5,5	P1V-S120A0270
1,200	1100	550	21,00	31,00	27	G3/4	19	5,5	P1V-S120A0110
1,200	780	390	29,40	44,00	27	G3/4	19	5,6	P1V-S120A0078
1,200	320	160	71,60	107,00	27	G3/4	19	5,6	P1V-S120A0032
0,700	200	100	66,90	110,00*	19	G3/4	19	5,6	P1V-S120A0012

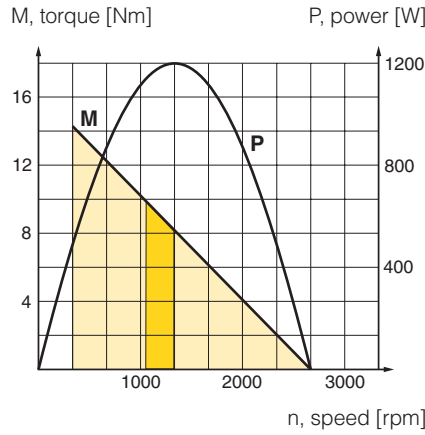
* Max permitted torque

Installation brackets, see page 35
 Dimensions, see page 41
 Permitted shaft loadings, see page 60
 Service kits, see page 62

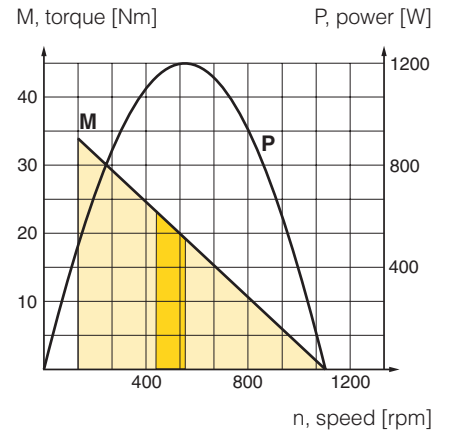
P1V-S120A0800



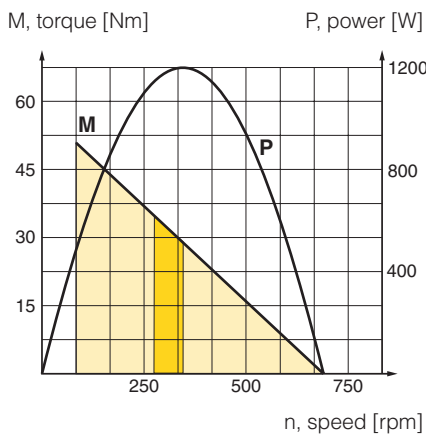
P1V-S120A0270,



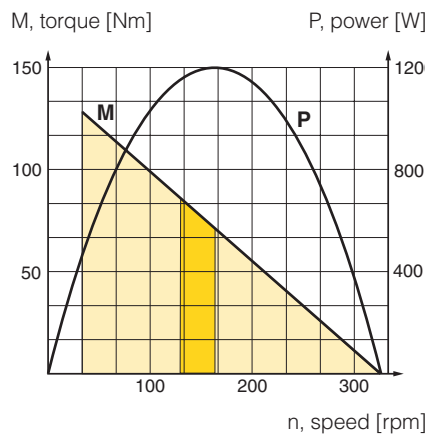
P1V-S120A0110



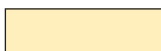
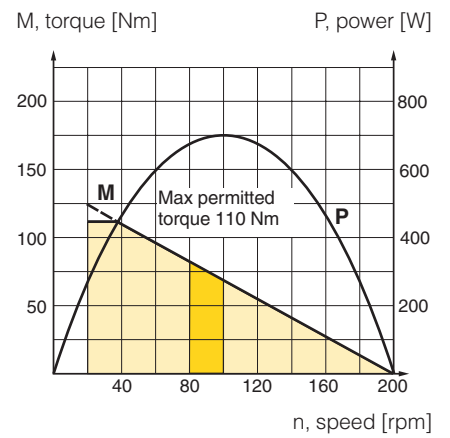
P1V-S120A0078



P1V-S120A0032



P1V-S120A0012



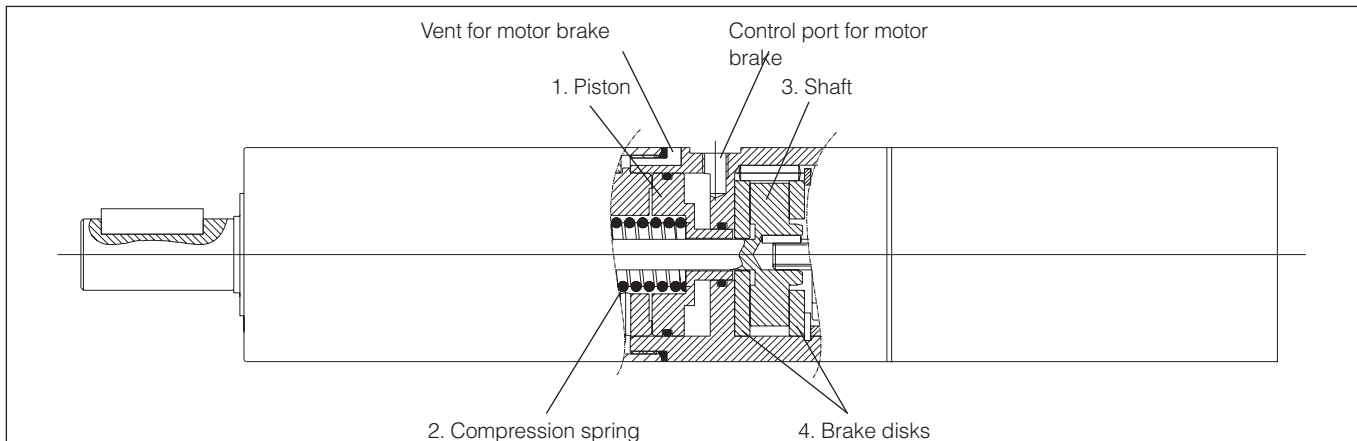
Possible working range of motor.



Optimum working range of motor.

Higher speeds = more vane wear
Lower speeds with high torque = more gearbox wear

Brake motor



Brake motors

Applications

The integrated brake is a spring-loaded disk brake, which is released at a minimum air pressure of 5 bar. The brake is applied in the absence of pressure. As soon as the control port for the brake is placed under pressure, the piston (1) is pressurised and the spring (2) is compressed. The motor can now start and the torque is passed to the shaft (3). The ventilation air from the brake is connected with the atmosphere. In order to brake the motor, the control air to the brake is simply vented. The piston (1) is pushed to the right by the spring (2), and the axle (3) is jammed between the two brake disks (4).

The technology and the size of air motors with integrated running and stationary brake make them ideal applications requiring repeated precise positioning. The motor can also be kept stationary in a specific position, and the stopping time for a rotating weight can be shortened significantly. Another typical application for brake motors is when the output shaft needs to be held in one position when the motor stops delivering torque. The brake can handle more than 1500 braking operations per hour at maximum braking torque.

Disassembly and reassembly

Detach the connections with the motor and gearbox. Pull off the motor and gearbox part. The brake disks can be lifted off after the lock ring has been removed.

Service and maintenance

After 20 000 braking operations as a stationary brake or 10 000 braking operations as an operating brake, the brake must be disassembled in order to check for wear.

Warning:

If the number of braking operations is exceeded, the degree of wear might be greater than permitted and the braking effect might be lost. If this happens, you simply need to replace the worn brake linings. Tests show that the brake lining needs to be replaced after approx. 90 000 braking cycles

NOTE!

Brake motors must only ever be supplied with unlubricated air, otherwise there is a risk of oil from the supply air getting into the brake unit, resulting in poor brake performance or no braking effect.

Technical data

Min braking torque for different motor types
Motor size P1V-S020, 200 watt

Braking motor	Motor max torque, specified Nm	Brake min braking torque, theoretical Nm	Gearbox max torque, permitted Nm
P1V-S020A/DDE50	0,52	1,0	1,0
P1V-S020A/DD460	1,6	3,43	3,43
P1V-S020A/DD240	3,2	6,66	6,66
P1V-S020A/DD140	5,4	11,8	11,8
P1V-S020A/DD070	10,8	22,86	14,0
P1V-S020A/DD035	20,0	44,4	20,0
P1V-S020A/DD018	20,0	44,4	20,0
P1V-S020A/D011	66,0	137,2	108,0
P1V-S020A/D006	144,0	266,4	108,0
P1V-S020A/DD005	20,0*	44,4	20,0
P1V-S020A/D002	20,0*	44,4	20,0
P1V-S020A/D001	20,0*	44,4	20,0
P1V-S020A/D0005	20,0*	44,4	20,0

Motor size P1V-S030, 300 watt

Braking motor	Motor max torque, specified Nm	Brake min braking torque, theoretical Nm	Gearbox max torque, permitted Nm
P1V-S030A/DDE50	0,8	1,0	1,0
P1V-S030A/DD460	2,4	3,43	3,43
P1V-S030A/DD240	4,8	6,66	6,66
P1V-S030A/DD140	8,2	11,8	11,8
P1V-S030A/DD060	19,2	20,6	14,0
P1V-S030A/DD028	41,0	40,0	36,0
P1V-S030A/D023	48,0	70,8	108,0
P1V-S030A/D010	114,0	123,6	108,0
P1V-S030A/DD005	36,0*	40,0	36,0

* Warning:

The permitted torque for the specific gearbox must not be exceeded!

Brake release

Minimum pressure for brake release:

5 bar

NOTE! All technical data is based on a working pressure of 6 bar.



Data for reversible brake motor with keyed shaft, P1V-S020AD series

Max power	Free speed	Speed at max power	Torque at max power	Min start torque	Air consumption at max power	Conn.	Min pipe ID	Weight	Order code
kW	rpm	rpm	Nm	Nm	l/s		mm	Kg	
0,200	14500	7250	0,26	0,40	6,3	G1/8	10	1,000	P1V-S020ADE50
0,200	4600	2300	0,80	1,20	6,3	G1/8	10	1,050	P1V-S020AD460
0,200	2400	1200	1,60	2,40	6,3	G1/8	10	1,050	P1V-S020AD240
0,200	1400	700	2,70	4,10	6,3	G1/8	10	1,150	P1V-S020AD140
0,200	700	350	5,40	8,20	6,3	G1/8	10	1,150	P1V-S020AD070
0,200	350	160	12,00	18,00	6,3	G1/8	10	1,150	P1V-S020AD035
0,100	180	90	10,50	15,00	4,5	G1/8	10	1,150	P1V-S020AD018
0,200	110	55	33,00	49,50	6,3	G1/8	10	3,300	P1V-S020AD011
0,200	60	30	72,00	108,00*	6,3	G1/8	10	3,300	P1V-S020AD006
0,180	50	25	20,00*	20,00*	6,3	G1/8	10	1,250	P1V-S020AD005
0,180	20	–	20,00*	20,00*	6,3	G1/8	10	1,250	P1V-S020AD002
0,180	10	–	20,00*	20,00*	6,3	G1/8	10	1,350	P1V-S020AD001
0,180	5	–	20,00*	20,00*	6,3	G1/8	10	1,350	P1V-S020AD0005

* Max permitted torque

Torque curves, see page 24
 Installation brackets, see page 35
 Dimensions, see page 42
 Permitted shaft loadings, see page 60
 Service kits, see page 62

NOTE! All technical data is based on a working pressure of 6 bar.



Data for reversible brake motor with keyed shaft, P1V-S030AD series

Max power	Free speed	Speed at max power	Torque at max power	Min start torque	Air consumption at max power	Conn.	Min pipe ID	Weight	Order code
kW	rpm	rpm	Nm	Nm	l/s		mm	Kg	
0,300	14500	7250	0,40	0,60	8,0	G1/4	10	1,350	P1V-S030ADE50
0,300	4600	2300	1,20	1,90	8,0	G1/4	10	1,400	P1V-S030AD460
0,300	2400	1200	2,40	3,60	8,0	G1/4	10	1,400	P1V-S030AD240
0,300	1400	700	4,10	6,10	8,0	G1/4	10	1,450	P1V-S030AD140
0,300	600	300	9,60	14,30	8,0	G1/4	10	1,500	P1V-S030AD060
0,300	280	140	20,50	26,00	8,0	G1/4	10	1,500	P1V-S030AD028
0,300	230	115	24,00	36,00	8,0	G1/4	10	3,650	P1V-S030AD023
0,300	100	50	57,00	85,50	8,0	G1/4	10	3,650	P1V-S030AD010
0,280	50	25	36,00*	36,00*	8,0	G1/4	10	1,600	P1V-S030AD005



* Max permitted torque

Torque curves, see page 26
 Installation brackets, see page 35
 Dimensions, see page 43
 Permitted shaft loadings, see page 60
 Service kits, see page 62

Order key

P1V-S	4	012	B
Air motor range	Accessories	Motor size	Bracket
P1V-S Stainless	4 Bracket	002 20 W	B Flange bracket
		008 80 W	F Foot bracket
		012 120 W	C Foot bracket, large
		020 200 W	
		030 300 W	
		060 600 W	
		120 1200 W	

Installation brackets for P1V-S

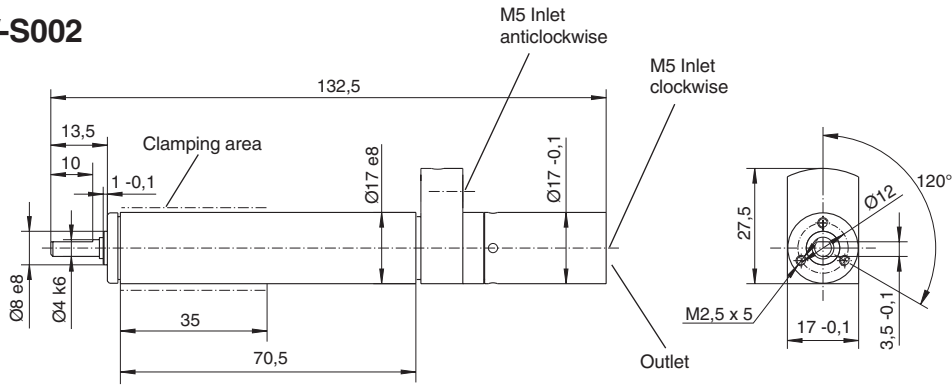
Type	For air motor	For drilling motor	Weight Kg	Order code
Flange bracket				
	P1V-S002		0,04	P1V-S4002B
	P1V-S008	P1V-S008	0,04	P1V-S4008B
	P1V-S012		0,05	P1V-S4012B
	P1V-S020	P1V-S025	0,09	P1V-S4020B
	P1V-S030	P1V-S040	0,12	P1V-S4030B
	P1V-S060		0,25	P1V-S4060B
	P1V-S120		0,60	P1V-S4120B
Foot bracket				
	P1V-S008	P1V-S008	0,08	P1V-S4008F
	P1V-S012		0,09	P1V-S4012F
	P1V-S020	P1V-S025	0,11	P1V-S4020F
	P1V-S020A0011		0,55	P1V-S4020C
	P1V-S020A0006			
	P1V-S030A0023			
	P1V-S030A0010			
	P1V-S030	P1V-S040	0,11	P1V-S4030F
	P1V-S060		0,30	P1V-S4060F
	P1V-S120		0,80	P1V-S4120F

All brackets supplied with fastening screws for the motor.

Dimensions, see pages 36 to 41

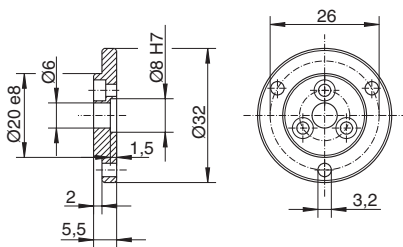
Dimensions

Motor P1V-S002



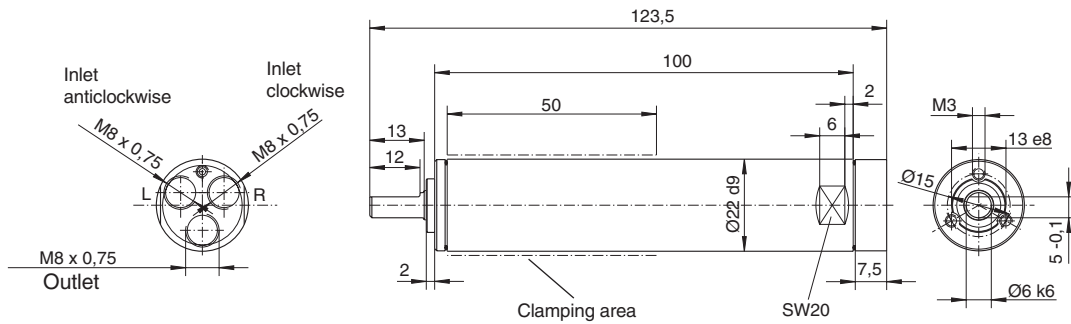
Flange bracket for motor P1V-S002

P1V-S4002B



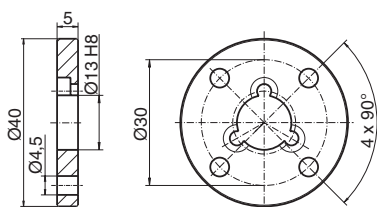
Dimensions

Motor P1V-S008



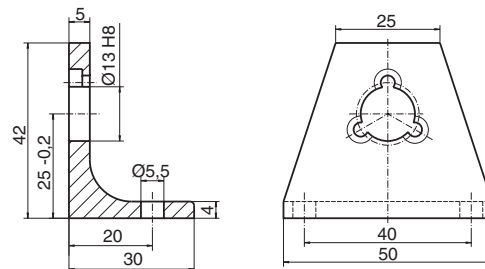
Flange bracket for motor P1V-S008

P1V-S4008B



Foot bracket for motor P1V-S008

P1V-S4008F



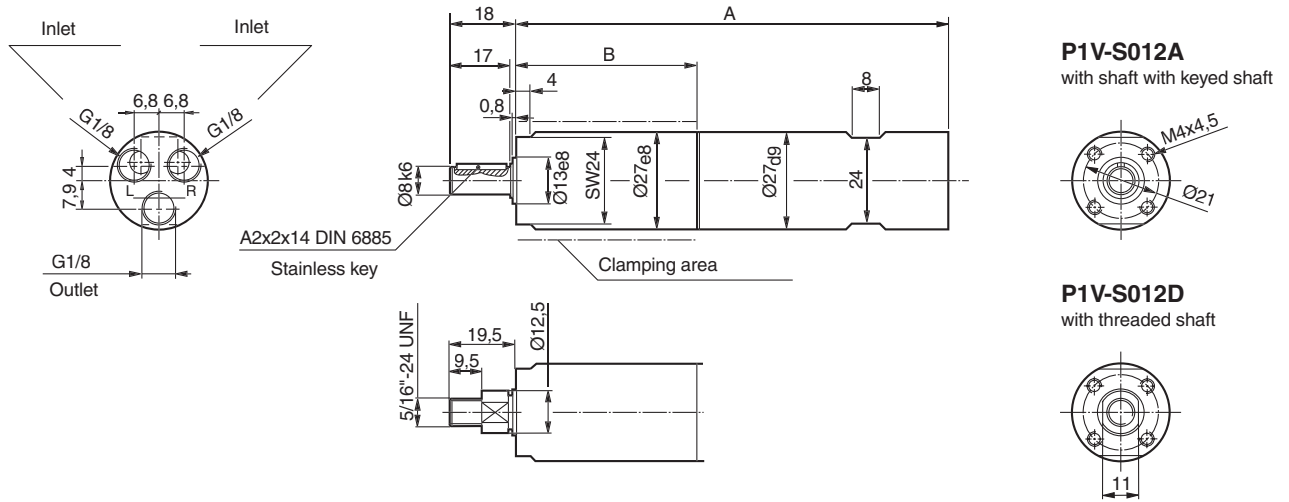
CAD drawings on the Internet

Our home page www.parker.com/euro_pneumatic includes the AirCad Drawing Library with 2D and 3D drawings for the main versions.

AirCad™
Drawing Library

Dimensions

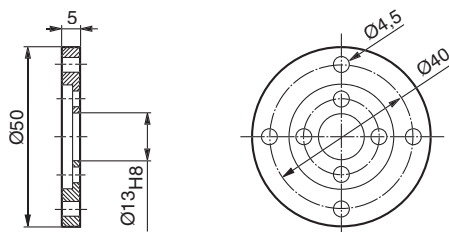
Motor P1V-S012



	A	B
P1V-S012A0N00, P1V-S012D0N00	117,0	46,5
P1V-S012A0550, P1V-S012D0550	117,0	46,5
P1V-S012A0360, P1V-S012D0360	117,0	46,5
P1V-S012A0140, P1V-S012D0140	129,5	59,0
P1V-S012A0090, P1V-S012D0090	129,5	59,0
P1V-S012A0060, P1V-S012D0060	129,5	59,0
P1V-S012A0010, P1V-S012D0010	142,0	71,5

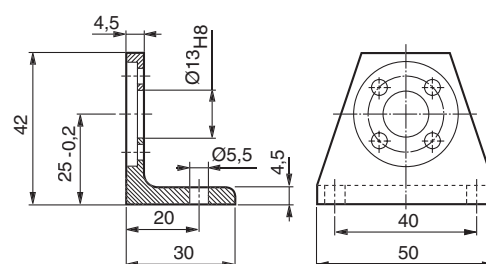
Flange bracket for motor P1V-S012

P1V-S4012B



Foot bracket for motor P1V-S012

P1V-S4012F

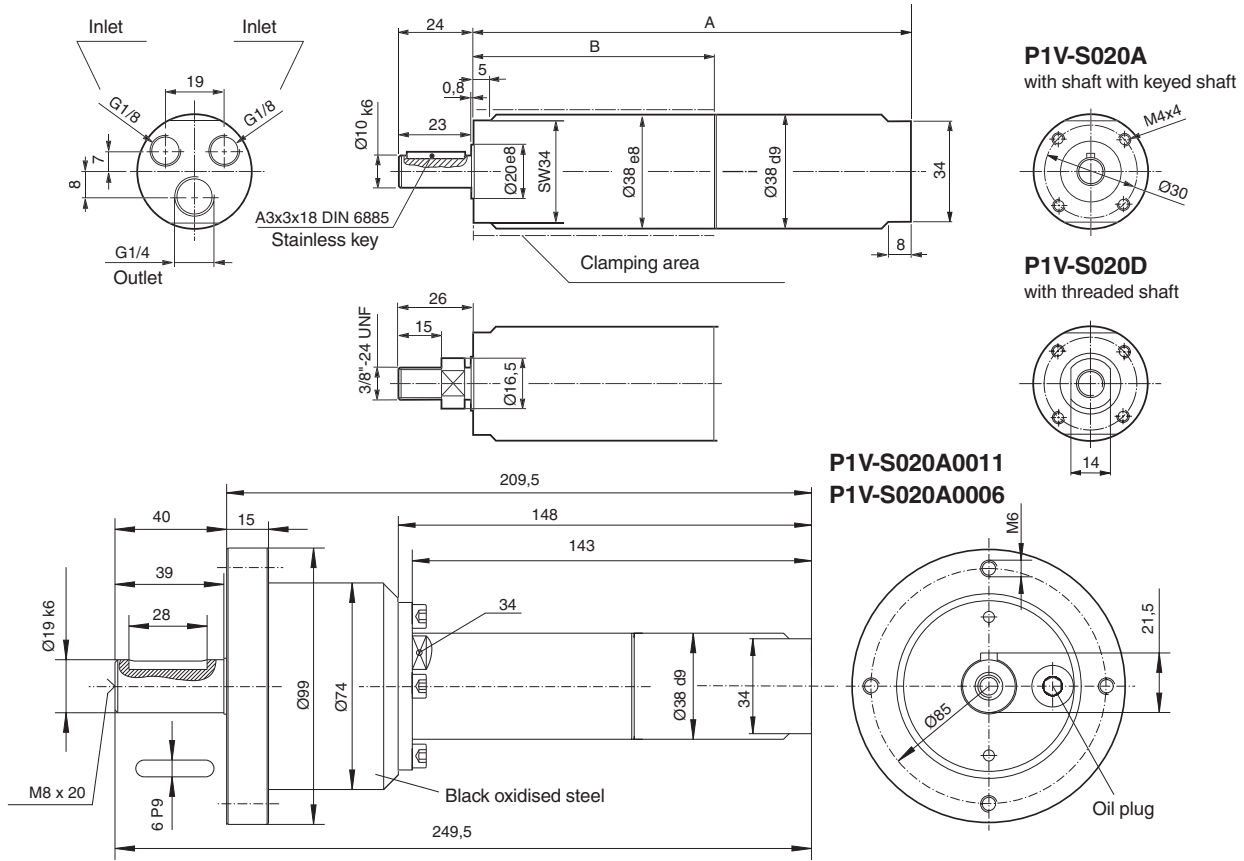


CAD drawings on the Internet

Our home page www.parker.com/euro_pneumatic includes the AirCad Drawing Library with 2D and 3D drawings for the main versions.



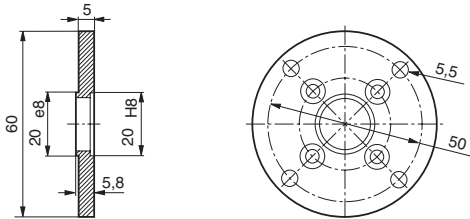
Motor P1V-S020



	A	B
P1V-S020A0E50, P1V-S020D0E50	127	63,5
P1V-S020A0460, P1V-S020D0460	127	63,5
P1V-S020A0240, P1V-S020D0240	127	63,5
P1V-S020A0140, P1V-S020D0140	143	79,5
P1V-S020A0070, P1V-S020D0070	143	79,5
P1V-S020A0035, P1V-S020D0035	143	79,5
P1V-S020A0018, P1V-S020D0018	143	79,5
P1V-S020A0005, P1V-S020D0005	159	95,5
P1V-S020A0002	159	95,5
P1V-S020A0001	175	111,5
P1V-S020A00005	175	111,5

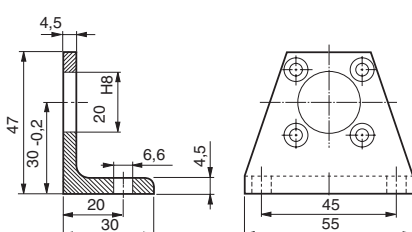
Flange bracket for motor P1V-S020

P1V-S4020B



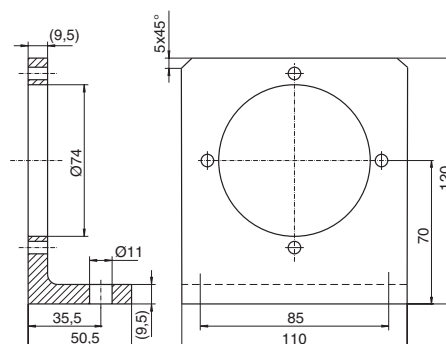
Foot bracket for motor P1V-S020

P1V-S4020F



Foot bracket for motor P1V-S020A0011 and P1V-S020A0006

P1V-S4020C

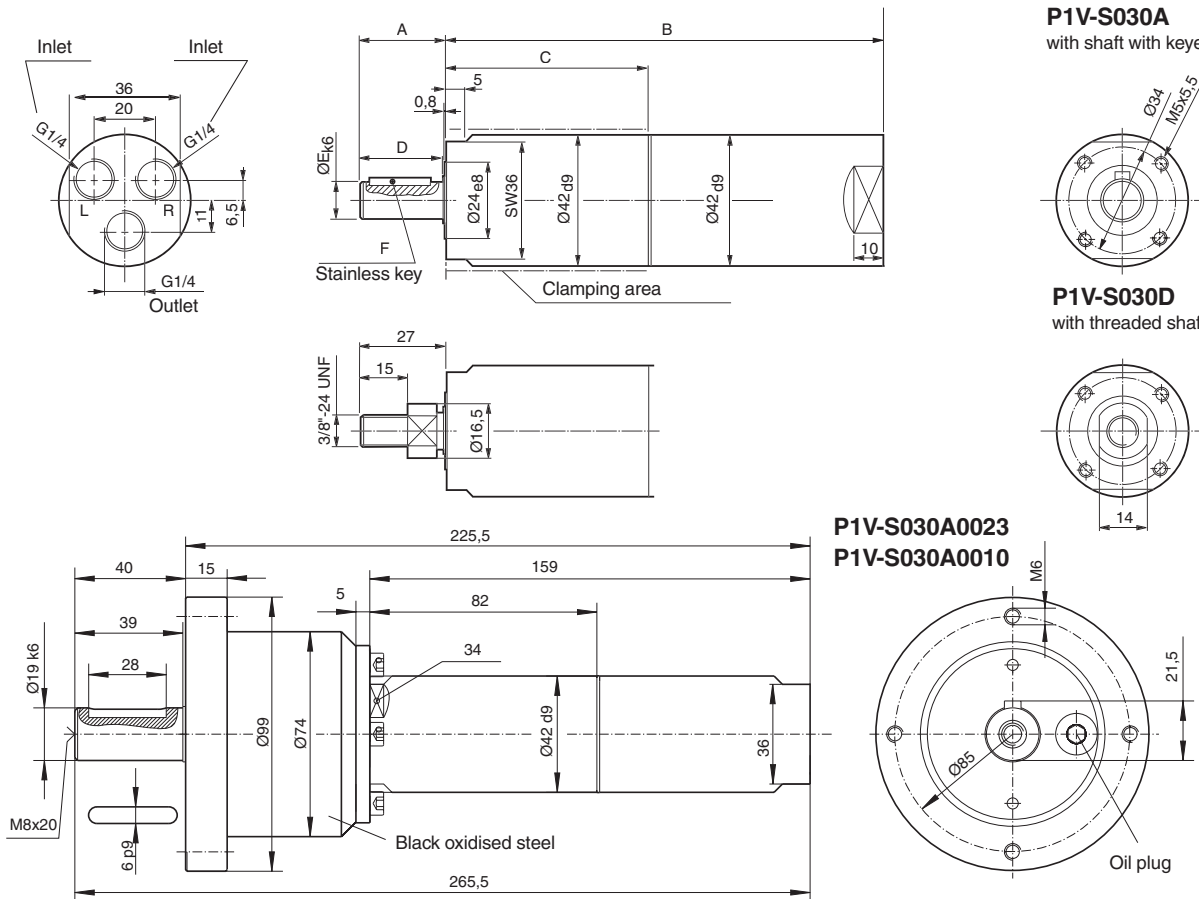


CAD drawings on the Internet

Our home page www.parker.com/euro_pneumatic includes the AirCad Drawing Library with 2D and 3D drawings for the main versions.



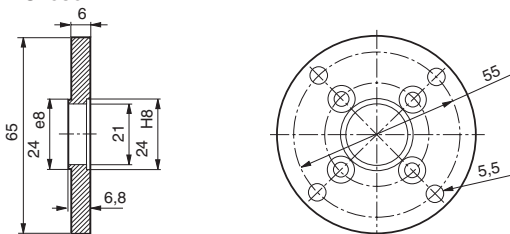
Motor P1V-S030



	A	B	C	D	E	F
P1V-S030A0E50, P1V-S030D0E50	28,5	143	66	27	12	A4x4x20 DIN 6885
P1V-S030A0460, P1V-S030D0460	28,5	143	66	27	12	A4x4x20 DIN 6885
P1V-S030A0240, P1V-S030D0240	28,5	143	66	27	12	A4x4x20 DIN 6885
P1V-S030A0140, P1V-S030D0140	28,5	159	82	27	12	A4x4x20 DIN 6885
P1V-S030A0060, P1V-S030D0060	32,0	159	82	30	14	A5x5x20 DIN 6885
P1V-S030A0028, P1V-S030D0028	32,0	159	82	30	14	A5x5x20 DIN 6885
P1V-S030A0018, P1V-S030D0018	32,0	159	82	30	14	A5x5x20 DIN 6885
P1V-S030A0005, P1V-S030D0005	32,0	164	82	30	14	A5x5x20 DIN 6885

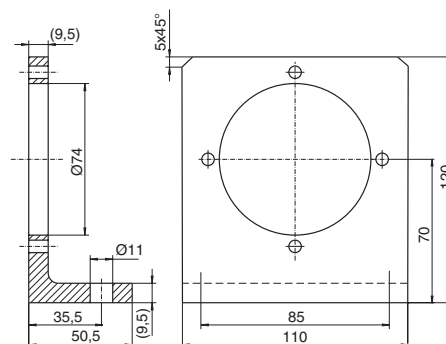
Flange bracket for motor P1V-S030

P1V-S4030B



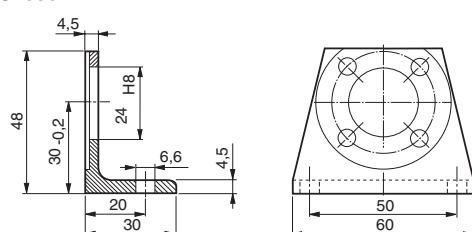
Foot bracket for motor

P1V-S030A0023 and P1V-S030A0010
P1V-S4020C



Foot bracket for motor P1V-S030

P1V-S4030F

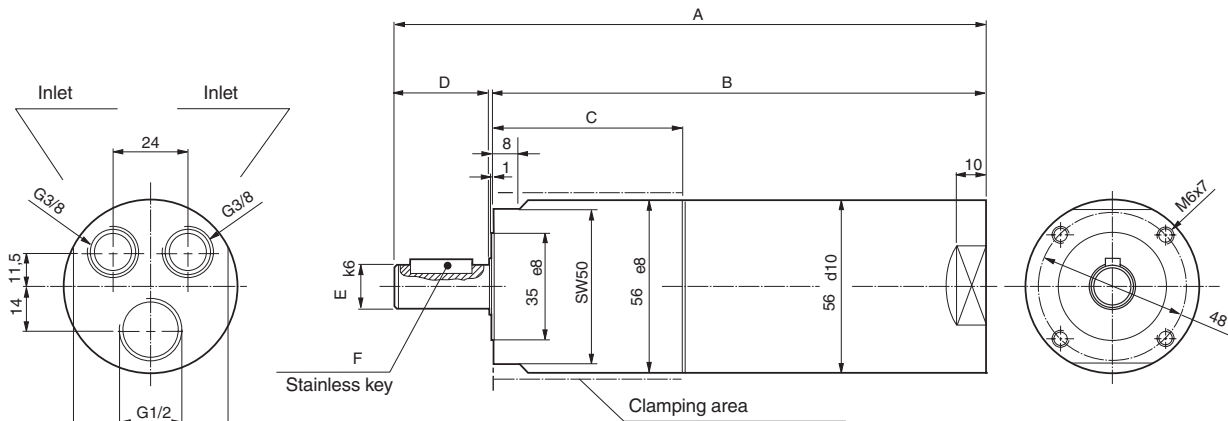


CAD drawings on the Internet

Our home page www.parker.com/euro_pneumatic includes the AirCad Drawing Library with 2D and 3D drawings for the main versions.



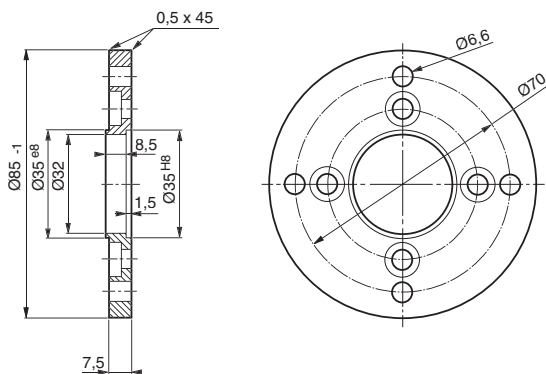
Motor P1V-S060



	A	B	C	D	E	F
P1V-S060A0E00	194	162	62,4	30	14	A5x5x20 DIN 6885
P1V-S060A0400	194	162	62,4	30	14	A5x5x20 DIN 6885
P1V-S060A0270	194	162	62,4	30	14	A5x5x20 DIN 6885
P1V-S060A0170	194	162	62,4	30	14	A5x5x20 DIN 6885
P1V-S060A0072	212	180	62,4	30	14	A5x5x20 DIN 6885
P1V-S060A0048	212	180	80,4	30	19	A6x6x22 DIN 6885
P1V-S060A0030	217	180	80,4	35	19	A6x6x22 DIN 6885
P1V-S060A0010	217	180	80,4	35	19	A6x6x22 DIN 6885

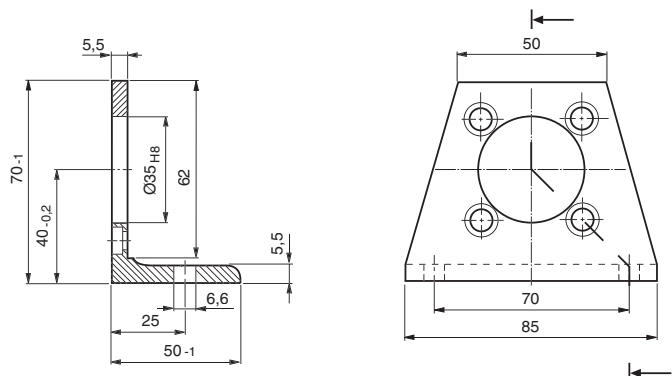
Flange bracket for motor P1V-S060

P1V-S4060B



Foot bracket for motor P1V-S060

P1V-S4060F

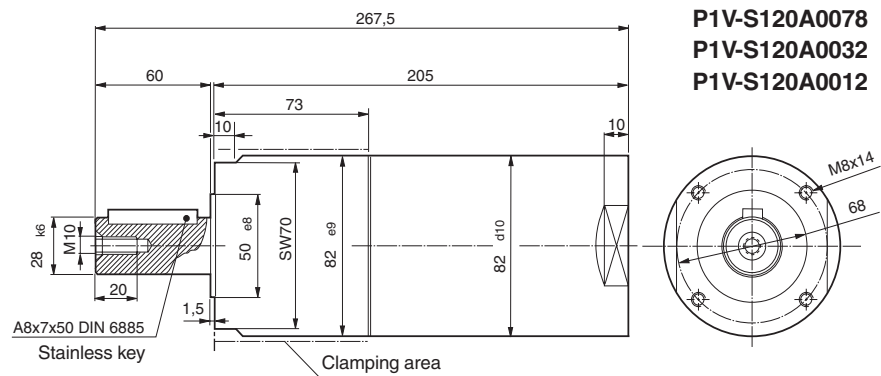
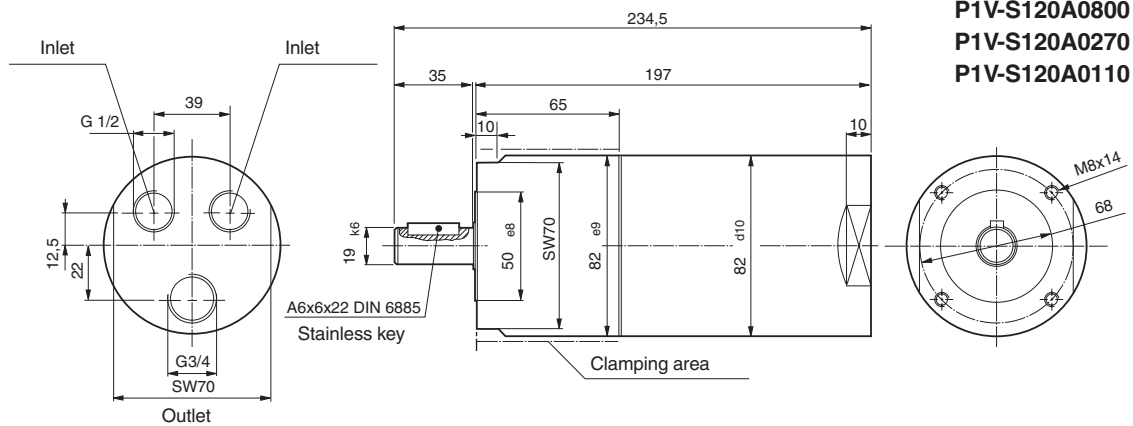


CAD drawings on the Internet

Our home page www.parker.com/euro_pneumatic includes the AirCad Drawing Library with 2D and 3D drawings for the main versions.

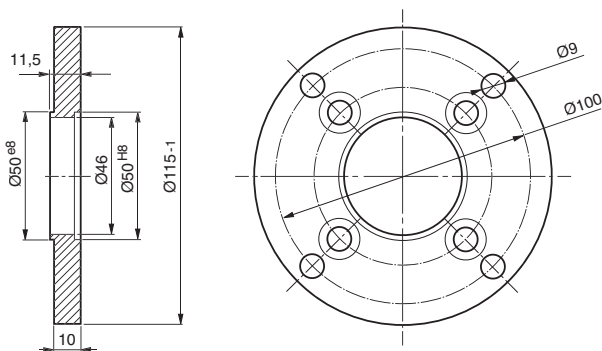
AirCad™
Drawing Library

Motor P1V-S120



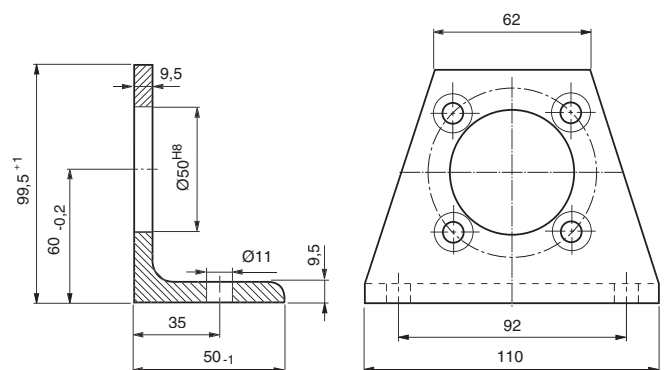
Flange bracket for motor P1V-S120

P1V-S4120B



Foot bracket for motor P1V-S120

P1V-S4120F

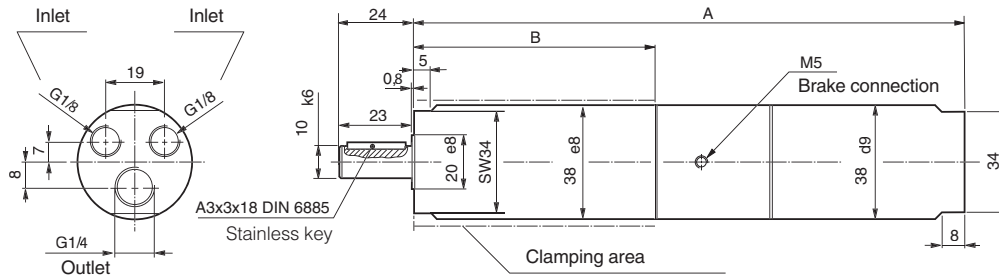


CAD drawings on the Internet

Our home page www.parker.com/euro_pneumatic includes the AirCad Drawing Library with 2D and 3D drawings for the main versions.

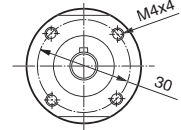
AirCad™
Drawing Library

Brake motor P1V-S020



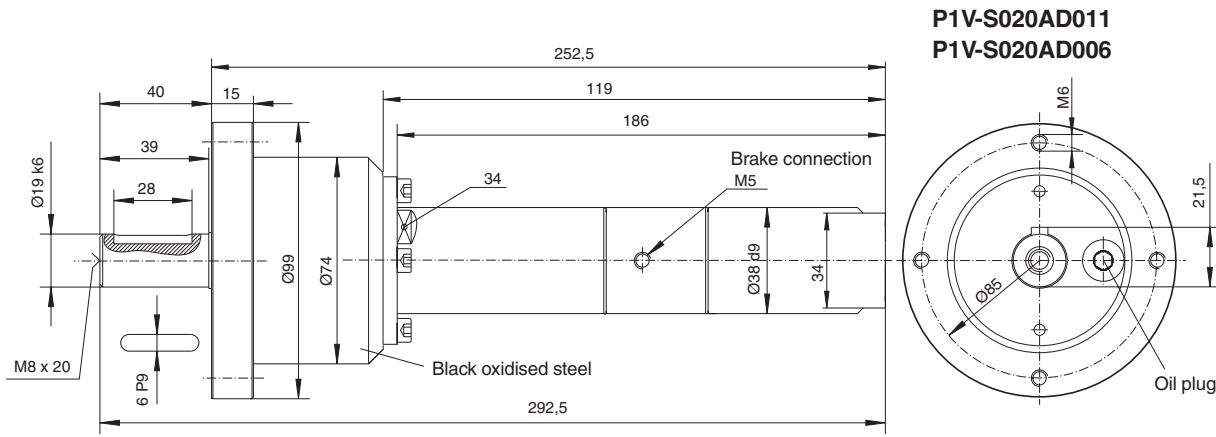
P1V-S020AD

with shaft with keyed shaft



P1V-S020DD

with threaded shaft

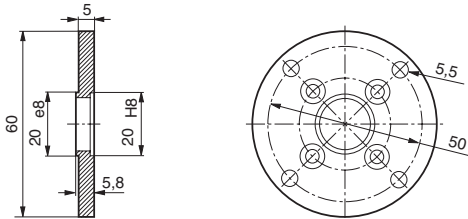


A B

	A	B
P1V-S020ADE50	170	63,5
P1V-S020AD460	170	63,5
P1V-S020AD240	170	63,5
P1V-S020AD140	186	79,5
P1V-S020AD070	186	79,5
P1V-S020AD035	186	79,5
P1V-S020AD018	186	79,5
P1V-S020AD005	202	95,5
P1V-S020AD002	202	95,5
P1V-S020AD001	218	111,5
P1V-S020AD0005	218	111,5

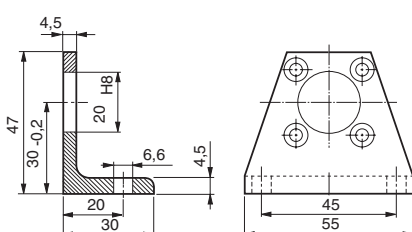
Flange bracket for motor P1V-S020

P1V-S4020B



Foot bracket for motor P1V-S020

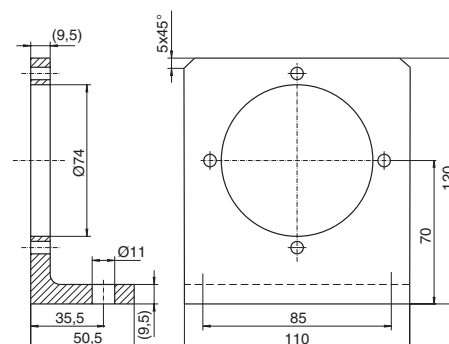
P1V-S4020F



Foot bracket for motor

P1V-S020AD0011 and P1V-S020AD0006

P1V-S4020C

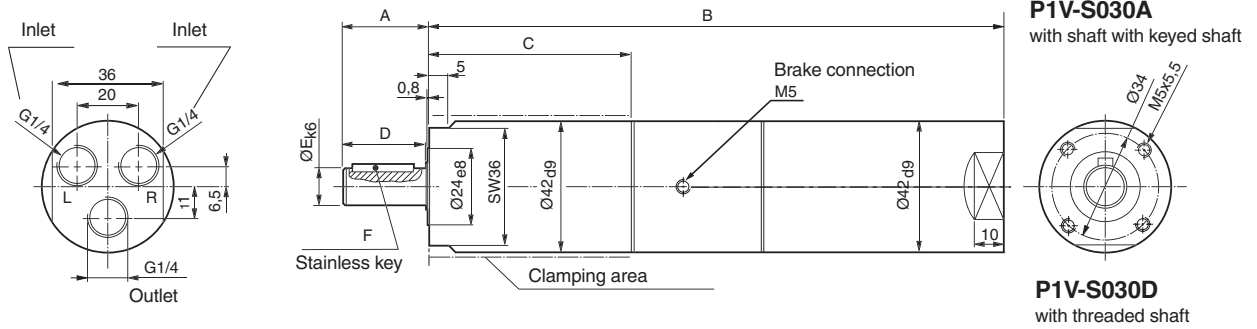


CAD drawings on the Internet

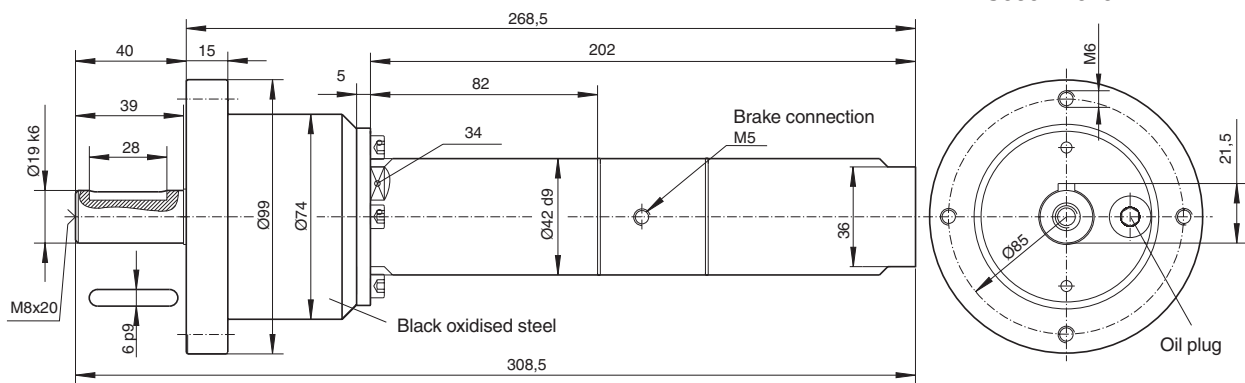
Our home page www.parker.com/euro_pneumatic includes the AirCad Drawing Library with 2D and 3D drawings for the main versions.

AirCad™
Drawing Library

Brake motor P1V-S030



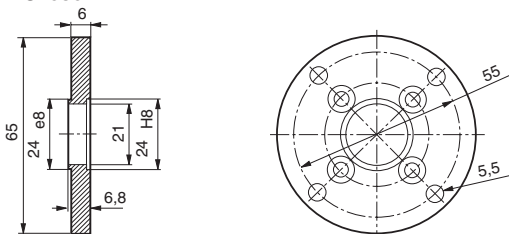
P1V-S030AD023 P1V-S030AD010



	A	B	C	D	E	F
P1V-S030ADE50	28,5	186	66	27	12	A4x4x20 DIN 6885
P1V-S030AD460	28,5	186	66	27	12	A4x4x20 DIN 6885
P1V-S030AD240	28,5	186	66	27	12	A4x4x20 DIN 6885
P1V-S030AD140	28,5	202	82	27	12	A4x4x20 DIN 6885
P1V-S030AD060	32,0	202	82	30	14	A5x5x20 DIN 6885
P1V-S030AD028	32,0	202	82	30	14	A5x5x20 DIN 6885
P1V-S030AD005	32,0	207	82	30	14	A5x5x20 DIN 6885

Flange bracket for motor P1V-S030

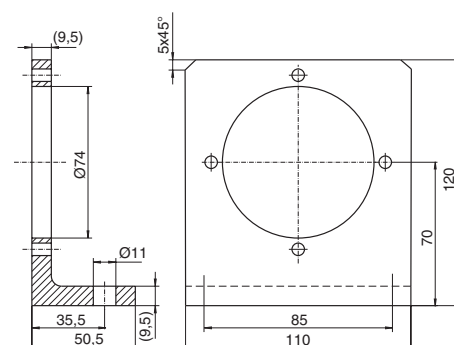
P1V-S4030B



Foot bracket for motor

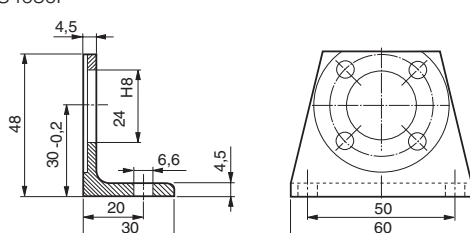
P1V-S030AD0023 and P1V-S030AD0010

P1V-S4020C



Foot bracket for motor P1V-S030

P1V-S4030F



CAD drawings on the Internet

Our home page www.parker.com/euro_pneumatic includes the AirCad Drawing Library with 2D and 3D drawings for the main versions.



Drilling, milling and grinding motors

A large number of drilling motors, milling motors and grinding motors have been developed using the P1V-S as the base motor in order to make it easier to install air motors in machining applications. These motors are all equipped with standard vanes for intermittent lubrication-free operation, although it is recommended to use oil mist if you are planning to operate them for extended periods.

NOTE! These motors are not made of 100% stainless steel.

Drilling motors are available with power ratings of 80, 170, 250 and 400 Watts, and several different speeds for the machining of a range of materials. They can be fitted with collet chucks, drill chucks and quick-release chucks. Many of them also have accessories allowing the exhaust air to be removed.

The milling motor, with a power rating of 400 Watts, runs at a relatively high speed, and is fitted with a collet chuck for a shaft diameter of 8 mm. It is equipped with strong bearings able to handle greater shear forces on the spindle.

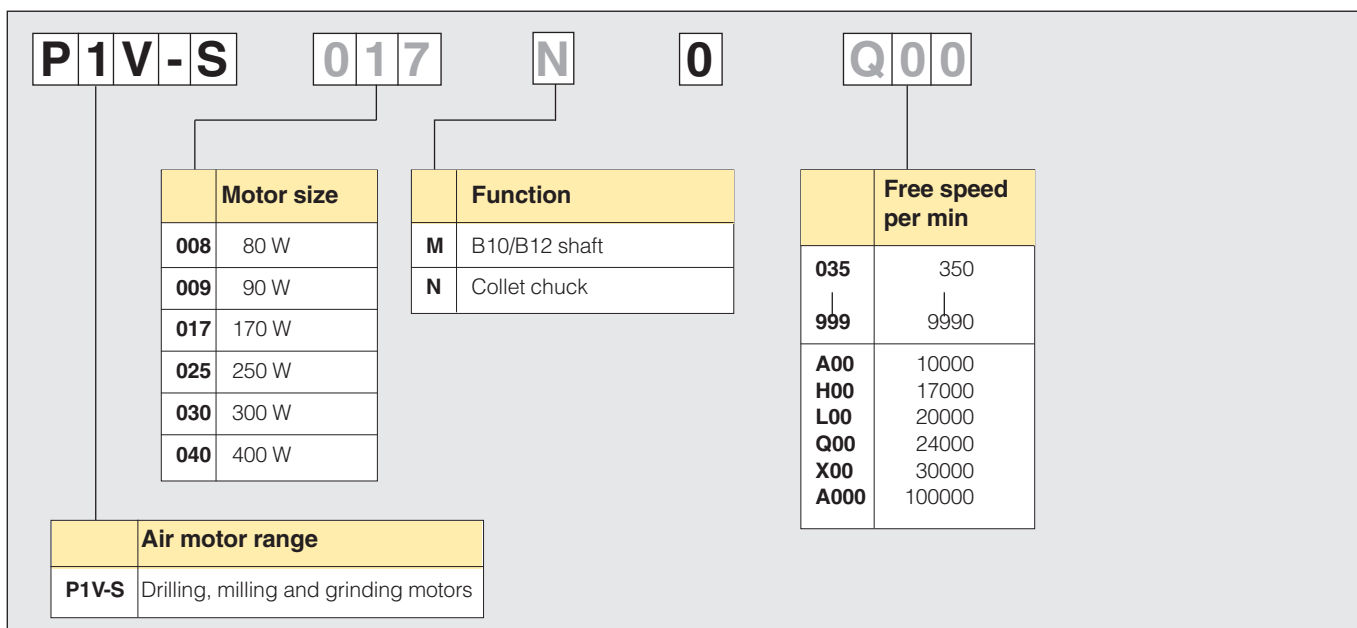
The grinding motor, with a power rating of 200 Watts, is fitted with a collet chuck for a shaft diameter of 8 mm and runs at a relatively high speed. It is equipped with strong bearings able to handle greater shear forces on the spindle.

The design principle of the 90 Watt grinding motor is different from the others. The turbine principle means that high speeds are possible without the need for lubrication.

Feed movement in drilling, milling and grinding motors

A slow and even feed movement is necessary in machining applications. During drilling, the feed must not uncontrollably speed up once the drill breaks through the material. One good way of solving the problem is to use a pneumatic cylinder for the feed, which is able to provide force during drilling and a rapid approach before the actual drilling phase. Feed during the drilling phase is controlled using a hydraulic brake cylinder (HYDROCHECK) fitted in parallel with the pneumatic cylinder. This provides even, slow and safe feed movement, without the risk of the uncontrolled feed described above.

Order key



Possible combinations

Please refer to pages 45 to 52.

Technical data:

Working pressure: Max 7 bar
 Working temperature: -30 °C to +100 °C
 Medium: 40 µm filtered oil mist
 (unlubricated for grinding motor P1V-S009)

Other technical data
 See table for each motor

Material specification

Drilling motors P1V-S008N, P1V-S025N/M, P1V-S040M, milling motor P1V-S040N and grinding motor P1V-S020N
 Housing: Stainless steel, X12Cr13
 Shaft, collet chuck: Hardened steel (not stainless)
 Shaft for drill chuck: Hardened and tempered steel (not stainless)

Drilling motors P1V-S017N/M and grinding motor P1V-S009N
 Housing: High grade steel (not stainless)
 Shaft, collet chuck: Hardened steel (not stainless)
 Shaft for drill chuck: Hardened and tempered steel (not stainless)

All Internal parts: High grade steel (not stainless)

Accessories: Surface treated steel, plastic aluminium

Standard speeds for HSS spiral drills

Average speed Material	Drilling Ømm									
	1	2	3	4	5	6	7	8	9	10
35 m/min Unalloyed steel up to 500 N/mm ²	11000	5500	3700	2800	2200	1900	1600	1400	1200	1100
28 m/min Unalloyed steel from 500 to 700 N/mm ²	8800	4400	3000	2200	1800	1500	1300	1100	975	880
25 m/min Unalloyed steel over 700 N/mm ²	7800	3900	2600	2000	1600	1300	1100	975	865	780
14 m/min Alloyed steel from 700 to 900 N/mm ²	4400	2200	1500	1100	880	735	630	550	490	440
11 m/min Alloyed steel from 900 to 1100 N/mm ²	3400	1700	1100	850	680	570	485	425	380	340
7 m/min Stainless steel	2200	1100	730	550	440	365	315	275	245	220
22 m/min Cast iron up to 180 N/mm ²	7000	3500	2300	1700	1400	1200	1000	875	780	700
12 m/min Cast iron over 180 N/mm ²	3800	1900	1300	950	760	630	540	475	420	380
50 m/min Copper, red metal, bronze, brass	16000	8000	5300	4000	3200	2700	2300	2000	1800	1600
90 m/min Rough light-alloy metal, screw brass ²	28000	14000	9000	7000	5600	4800	4000	3500	3100	2800
165 m/min Hardened light-alloy metal	52000	26000	17300	13000	10400	8700	7400	6500	5800	5200
210 m/min Magnesium alloy ¹	66000	33000	22000	16500	13200	11000	9400	8300	7400	6600

1 Speeds for processing two-component plastics, cardboard or plastic-coated fabrics plaster, HSS drills must not be used - use a high-speed steel drill fitted with a hard metal K10 instead

2 double the values for thermoplastics

Drilling motor P1V-S008N

Our smallest and most versatile drilling motor for small-scale drilling operations.

The standard collet chuck is for 3 mm shaft diameter.

For other diameters, select a different collet chuck as an accessory.

The motor has a port for a 6 mm hose to remove the exhaust air to a silencer.



Data for drilling motor P1V-S008N

Max power	Free speed	Version	Drilling in steel	Drilling in aluminium	Air consumption at max power	Conn.	Min pipe ID	Weight	Order code
kW	rpm		mm	mm	l/s		mm	Kg	
0,080	24000	Collet chuck 3 mm	-	3	3,8	M8 x 0,75*	4	0,20	P1V-S008N0Q00
0,080	7000	Collet chuck 3 mm	3	3	3,8	M8 x 0,75*	4	0,20	P1V-S008N0700
0,080	1900	Collet chuck 3 mm	3	3	3,8	M8 x 0,75*	4	0,22	P1V-S008N0190
0,080	1300	Collet chuck 3 mm	3	3	3,8	M8 x 0,75*	4	0,22	P1V-S008N0130

* 2 push in nipples (F28PMB6M8SP) for plastic pipe Ø6/4 supplied

Accessories for drilling motor P1V-S008N

Name	Order code
Collet chucks	
Collet chuck Ø2 mm	P1V-6/314693
Collet chuck Ø3 mm	Standard
Collet chuck Ø3/32"	P1V-6/314694
Collet chuck Ø1/8"	P1V-6/314407

NOTE! All technical data is based on a working pressure of 6 bar.

Installation brackets, see page 35
 Dimensions, see page 53
 Permitted shaft loadings, see page 61
 Service kits, see page 64

Drilling motor P1V-S017N

A small drilling motor for small-scale, lighter drilling operations. The standard collet chuck is for 6 mm shaft diameter. For other diameters, select a different collet chuck as an accessory. The motor has a built-in silencer for exhaust air. If lower noise levels are required, or if you want the exhaust air to be collected, the relevant accessories are available.



Data for drilling motor P1V-S017N

Max power	Free speed	Version	Drilling in steel	Drilling in aluminium	Air consumption at max power	Conn.	Min pipe ID	Weight	Order code
kW	rpm		mm	mm	l/s		mm	Kg	
0,170	24000	Collet chuck 6 mm	-	4	5,0	G1/4o	6	0,38	P1V-S017N0Q00
0,170	6000	Collet chuck 6 mm	3	5	5,0	G1/4o	6	0,38	P1V-S017N0600
0,170	4000	Collet chuck 6 mm	4	6	5,0	G1/4o	6	0,38	P1V-S017N0400
0,170	1500	Collet chuck 6 mm	4	6	5,0	G1/4o	6	0,38	P1V-S017N0150
0,170	1000	Collet chuck 6 mm	4	6	5,0	G1/4o	6	0,38	P1V-S017N0100
0,170	660	Collet chuck 6 mm	4	6	5,0	G1/4o	6	0,38	P1V-S017N0066

Accessories for drilling motor P1V-S017N

Name	Order code
Collet chucks	
Collet chuck Ø3 mm	P1V-6/312681
Collet chuck Ø4 mm	P1V-6/312684
Collet chuck Ø5 mm	P1V-6/312686
Collet chuck Ø6 mm	Standard
Collet chuck Ø1/8"	P1V-6/312682
Collet chuck Ø1/4"	P1V-6/312689
Other accessories	
Outlet hose	P1V-6/806112
Seal for outlet hose	P1V-6/823221
Outlet connection parallel	P1V-6/302923A

NOTE! All technical data is based on a working pressure of 6 bar.

Dimensions, see page 53
Permitted shaft loadings, see page 61
Service kits, see page 64

Drilling motor P1V-S017M

A small drilling motor for small-scale, lighter drilling operations. Select drill chucks as accessories.

The motor has a built-in silencer for exhaust air. If lower noise levels are required, or if you want the exhaust air to be collected, the relevant accessories are available.



Data for drilling motor P1V-S017M

Max power kW	Free speed rpm	Version	Drilling in steel mm	Drilling in aluminium mm	Air consumption at max power l/s	Conn.	Min pipe ID mm	Weight Kg	Order code
0,170	6000	For drill chuck B10	3	5	5,0	G1/4o	6	0,38	P1V-S017M0600
0,170	4000	For drill chuck B10	4	6	5,0	G1/4o	6	0,38	P1V-S017M0400
0,170	1500	For drill chuck B10	4	6	5,0	G1/4o	6	0,38	P1V-S017M0150
0,170	1000	For drill chuck B10	4	6	5,0	G1/4o	6	0,38	P1V-S017M0100
0,170	660	For drill chuck B10	4	6	5,0	G1/4o	6	0,38	P1V-S017M0066

Accessories for drilling motor P1V-S017M

Name	Order code
Standard drill chuck Diameters 0,5 – 6 mm/B10	P1V-6/804655
Other accessories	
Outlet hose	P1V-6/806112
Seal for outlet hose	P1V-6/823221
Outlet connection parallel	P1V-6/302923A

NOTE! All technical data is based on a working pressure of 6 bar.

Dimensions, see page 54
Permitted shaft loadings, see page 61
Service kits, see page 64

Drilling motor P1V-S025N

A small drilling motor for moderately heavy drilling operations.
 The standard collet chuck is for 6 mm shaft diameter.
 For other diameters, select a different collet chuck as an accessory.
 The motor has a built-in silencer for exhaust air. If lower noise levels are required,
 or if you want the exhaust air to be collected, the relevant accessories are available.



Data for drilling motor P1V-S025N

Max power kW	Free speed rpm	Version	Drilling in steel mm	Drilling in aluminium mm	Air consumption at max power l/s	Conn.	Min pipe ID mm	Weight Kg	Order code
0,250	17000	Collet chuck 6 mm	-	6	6,3	G1/4o	6	0,80	P1V-S025N0H00
0,250	4800	Collet chuck 6 mm	4	6	6,3	G1/4o	6	0,80	P1V-S025N0480
0,250	2500	Collet chuck 6 mm	6	6	6,3	G1/4o	6	0,80	P1V-S025N0250
0,250	1400	Collet chuck 6 mm	6	6	6,3	G1/4o	6	0,80	P1V-S025N0140
0,250	700	Collet chuck 6 mm	6	-	6,3	G1/4o	6	0,80	P1V-S025N0070
0,250	350	Collet chuck 6 mm	6	-	6,3	G1/4o	6	0,80	P1V-S025N0035

Accessories for drilling motor P1V-S025N

Name	Order code
Collet chucks	
Collet chuck Ø3 mm	P1V-6/312681
Collet chuck Ø4 mm	P1V-6/312684
Collet chuck Ø5 mm	P1V-6/312686
Collet chuck Ø6 mm	Standard
Collet chuck Ø1/8"	P1V-6/312682
Collet chuck Ø1/4"	P1V-6/312689
Other accessories	
Outlet connection straight	P1V-6/313179A
Outlet hose Ø23 x 28 mm 0,75 m long	P1V-6/806110
Outlet connection parallel	P1V-6/388378A

NOTE! All technical data is based on a working pressure of 6 bar.

Installation brackets, see page 35
 Dimensions, see page 55
 Permitted shaft loadings, see page 61
 Service kits, see page 64

Drilling motor P1V-S025M

A small drilling motor for moderately heavy drilling operations. Select drill chucks or quick-release chucks as accessories as necessary. The motor has a built-in silencer for exhaust air. If lower noise levels are required, or if you want the exhaust air to be collected, the relevant accessories are available.



Data for drilling motor P1V-S025M

Max power kW	Free speed rpm	Version	Drilling in steel mm	Drilling in aluminium mm	Air consumption at max power l/s	Conn.	Min pipe ID mm	Weight Kg	Order code
0,250	17000	For drill chuck B12	-	6	6,3	G1/4o	6	0,80	P1V-S025M0H00
0,250	4800	For drill chuck B12	4	6	6,3	G1/4o	6	0,80	P1V-S025M0480
0,250	2500	For drill chuck B12	6	8	6,3	G1/4o	6	0,80	P1V-S025M0250
0,250	1400	For drill chuck B12	8	10	6,3	G1/4o	6	0,80	P1V-S025M0140
0,250	700	For drill chuck B12	10	-	6,3	G1/4o	6	0,80	P1V-S025M0070
0,250	350	For drill chuck B12	10	-	6,3	G1/4o	6	0,80	P1V-S025M0035

Accessories for drilling motor P1V-S025M

Name	Order code
Standard drill chuck Diameters 0,8 – 10 mm/B12	P1V-6/804650
Quick-release chuck Diameters 0,5 – 8 mm/B12	P1V-6/804661
Other accessories	
Outlet connection straight	P1V-6/3131179A
Outlet hose Ø23 x 28 mm 0,75 m long	P1V-6/806110
Outlet connection parallel	P1V-6/388378A

NOTE! All technical data is based on a working pressure of 6 bar.

Installation brackets, see page 35
Dimensions, see page 55
Permitted shaft loadings, see page 61
Service kits, see page 64

Drilling motor P1V-S040M

Our large drilling motor is used for small-scale heavy drilling operations requiring considerable feed force.

Select drill chucks or quick-release chucks as accessories as necessary.

The motor has a built-in silencer for exhaust air. If lower noise levels are required, or if you want the exhaust air to be collected, the relevant accessories are available.



Data for drilling motor P1V-S040M

Max power	Free speed	Version	Drilling in steel	Drilling in aluminium	Air consumption at max power	Conn.	Min pipe ID	Weight	Order code
kW	rpm		mm	mm	l/s		mm	Kg	
0,400	17000	For drill chuck B12	-	6	8,0	G1/4o	6	0,80	P1V-S040M0H00
0,400	4800	For drill chuck B12	4	6	8,0	G1/4o	6	0,80	P1V-S040M0480
0,400	2500	For drill chuck B12	6	8	8,0	G1/4o	6	0,80	P1V-S040M0250
0,400	1400	For drill chuck B12	8	10	8,0	G1/4o	6	0,80	P1V-S040M0140

Accessories for drilling motor P1V-S040M

Name	Order code
Standard drill chuck Diameters 0,8 – 10 mm/B12	P1V-6/804650
Quick-release chuck Diameters 0,5 – 8 mm/B12 (Cannot be used for drilling motor P1V-S040M0H00)	P1V-6/804661
Other accessories	
Outlet connection straight	P1V-6/3131179A
Outlet hose Ø23 x 28 mm 0,75 m long	P1V-6/806110
Outlet connection parallel	P1V-6/388378A

NOTE! All technical data is based on a working pressure of 6 bar.

Installation brackets, see page 35
Dimensions, see page 55
Permitted shaft loadings, see page 61
Service kits, see page 64

Milling motor P1V-S040N

This motor was designed for milling plastic components, but it can also be used for milling other materials. The motor has a built-in silencer for exhaust air. If lower noise levels are required, or if you want the exhaust air to be collected, the relevant accessories are available.



Data for drilling motor P1V-S040N

Max power kW	Free speed rpm	Version	Milling of plastic mill dia. max mm	Milling of wood mill dia. max mm	Air consumption at max power l/s	Conn.	Min pipe ID mm	Weight Kg	Order code
0,400	20000	Collet chuck 8 mm	8	10	5,0	G1/4o	6	0,80	P1V-S040N0L00

Accessories for drilling motor P1V-S040N

Name	Order code
Collet chucks	
Collet chuck Ø3 mm	P1V-6/312690
Collet chuck Ø4 mm	P1V-6/312692
Collet chuck Ø5 mm	P1V-6/312693
Collet chuck Ø6 mm	P1V-6/312694
Collet chuck Ø8 mm	Standard
Collet chuck Ø1/8"	P1V-6/312691
Collet chuck Ø1/4"	P1V-6/312695
Other accessories	
Outlet connection straight	P1V-6/3131179A
Outlet hose Ø23 x 28 mm 0,75 m long	P1V-6/806110
Outlet connection parallel	P1V-6/388378A

NOTE! All technical data is based on a working pressure of 6 bar.

Dimensions, see page 56
Permitted shaft loadings, see page 61
Service kits, see page 64

Grinding motor P1V-S009N

The grinding motor is used for small-scale point grinding and small-scale milling where the high speed is an advantage. It has proved to be very useful for drilling small holes and milling thin slits in PCBs in the electronics industry. In this application, the high speed means that the holes and slits are free of burrs on the underside.



Data for grinding motor P1V-S009N

Max power	Free speed	Version	Point grinding diam. max	Milling diam. max	Air consumption at max power	Conn.	Min pipe ID	Weight	Order code
kW	rpm		mm	mm	l/s		mm	Kg	
0,090	100000	Collet chuck 3 mm	5	3	2,0	Pipe 6/4	4	0,3	P1V-S009N0A000

NOTE! All technical data is based on a working pressure of 6 bar.

**Dimensions, see page 56
Permitted shaft loadings, see page 61**

Grinding motor P1V-S020N

This grinding motor is used when larger-scale point grinding is required. The motor can also be used for light milling operations. The motor has a built-in silencer for exhaust air.



Data for grinding motor P1V-S020N

Max power	Free speed	Version	Point grinding diam. max	Milling diam. max	Air consumption at max power	Conn.	Min pipe ID	Weight	Order code
kW	rpm		mm	mm	l/s		mm	Kg	
0,200	30000	Collet chuck 6 mm	25	10	6,3	G1/4o	6	0,5	P1V-S020N0X00

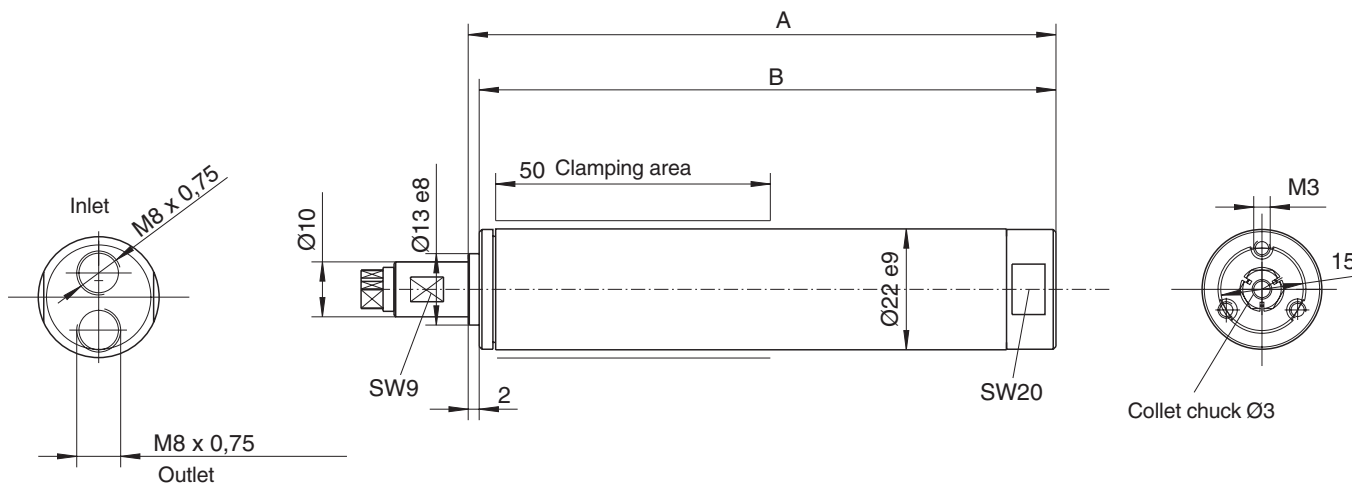
Accessories for grinding motor P1V-S020N

Name	Order code
Collet chucks	
Collet chuck Ø3 mm	P1V-6/312681
Collet chuck Ø4 mm	P1V-6/312684
Collet chuck Ø5 mm	P1V-6/312686
Collet chuck Ø6 mm	Standard
Collet chuck Ø1/8"	P1V-6/312682
Collet chuck Ø1/4"	P1V-6/312689

NOTE! All technical data is based on a working pressure of 6 bar.

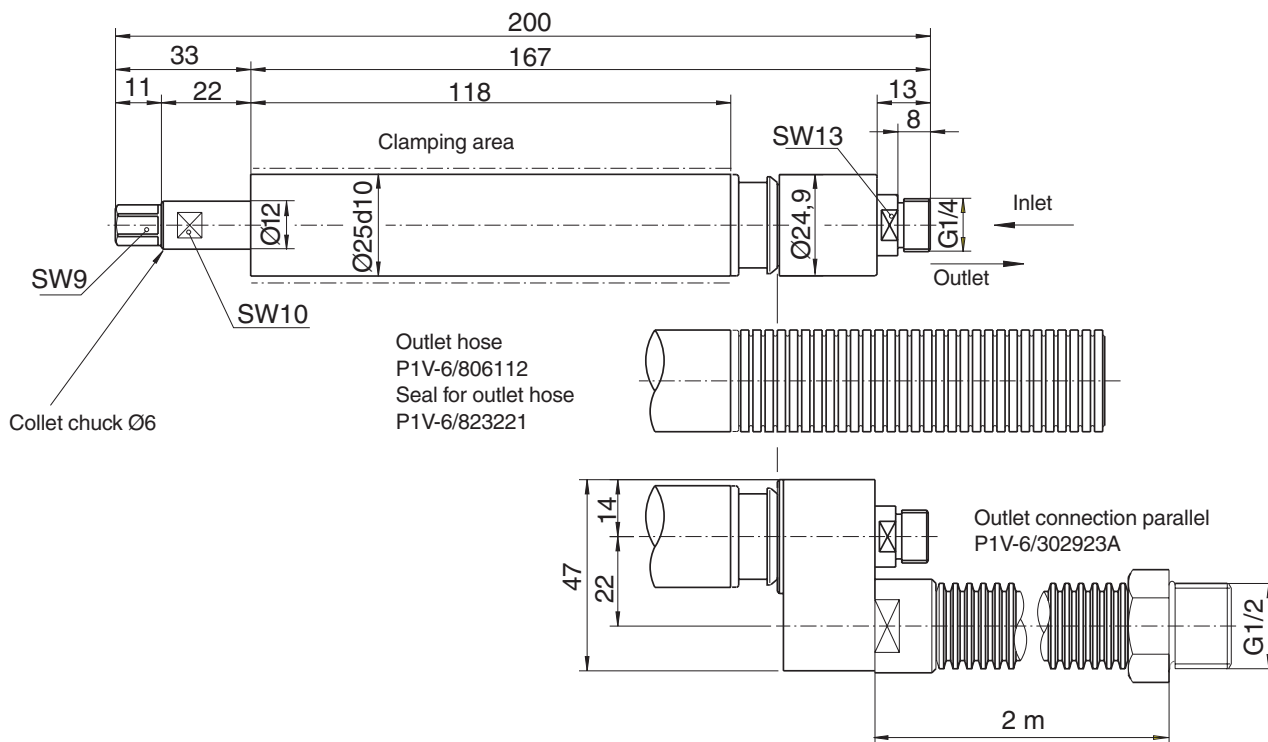
**Dimensions, see page 56
Permitted shaft loadings, see page 61
Service kits, see page 64**

Drilling motor P1V-S008N



	A	B
P1V-S008N0Q00, P1V-S008N0700	98	96
P1V-S008N0190, P1V-S008N0130	107	105

Drilling motor P1V-S017N

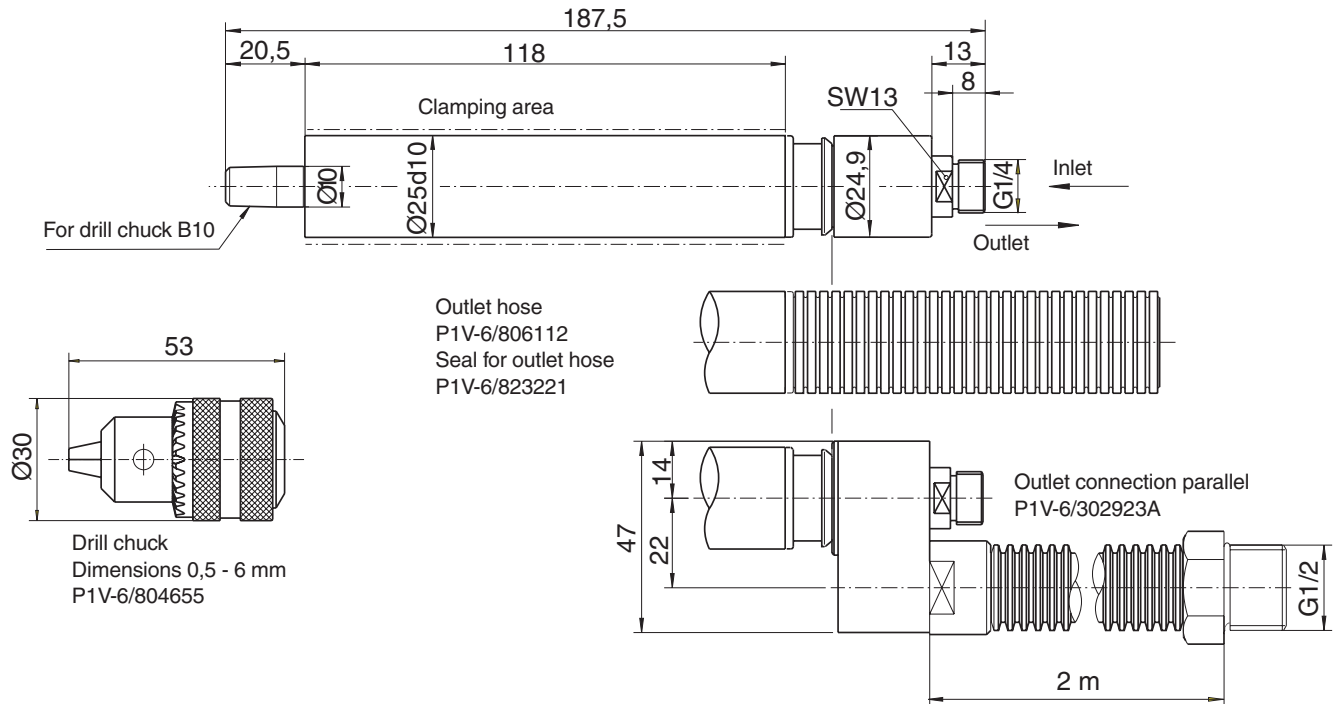


CAD drawings on the Internet

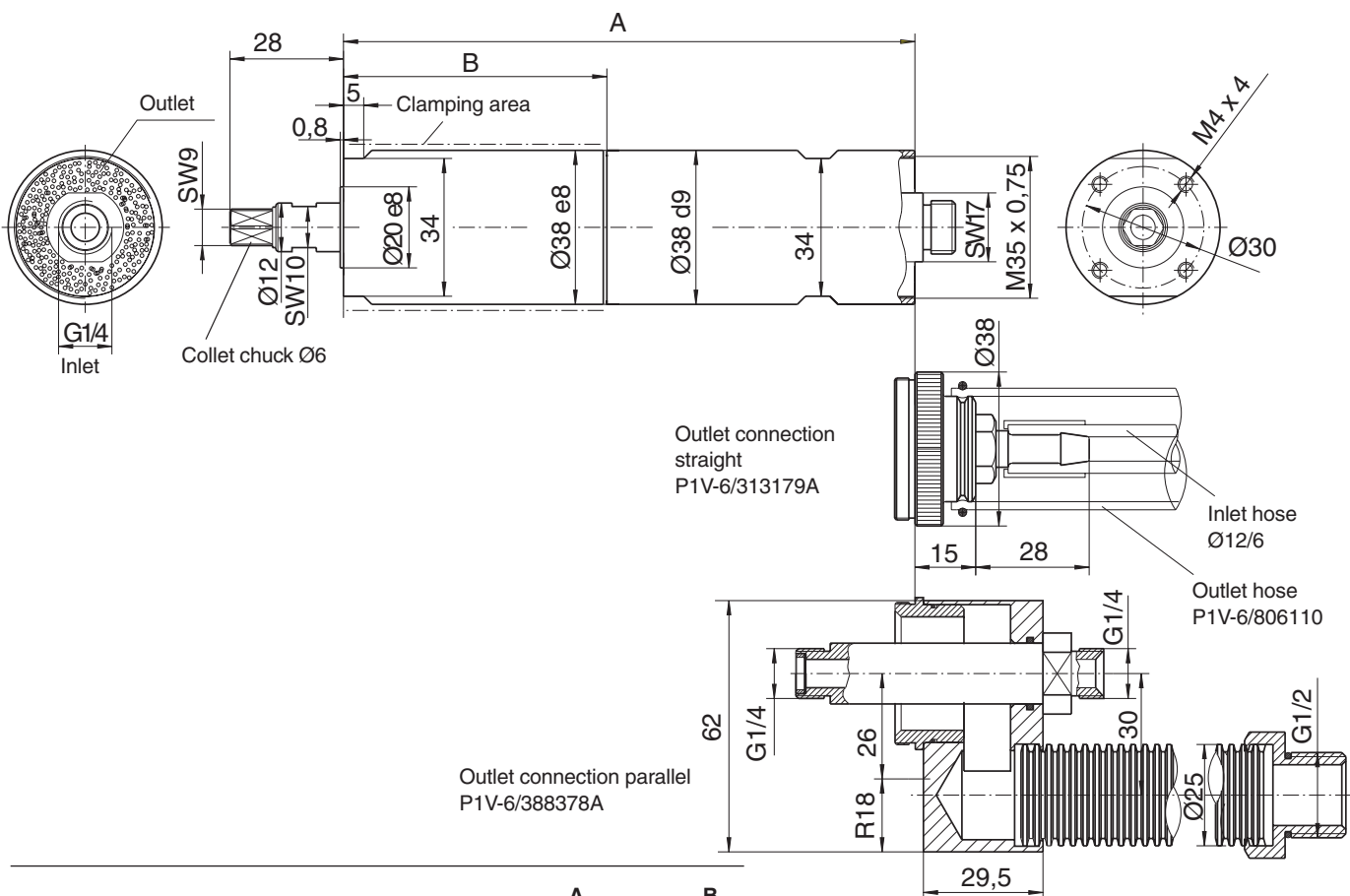
Our home page www.parker.com/euro_pneumatic includes the AirCad Drawing Library with 2D and 3D drawings for the main versions.



Drilling motor P1V-S017M



Drilling motor P1V-S025N



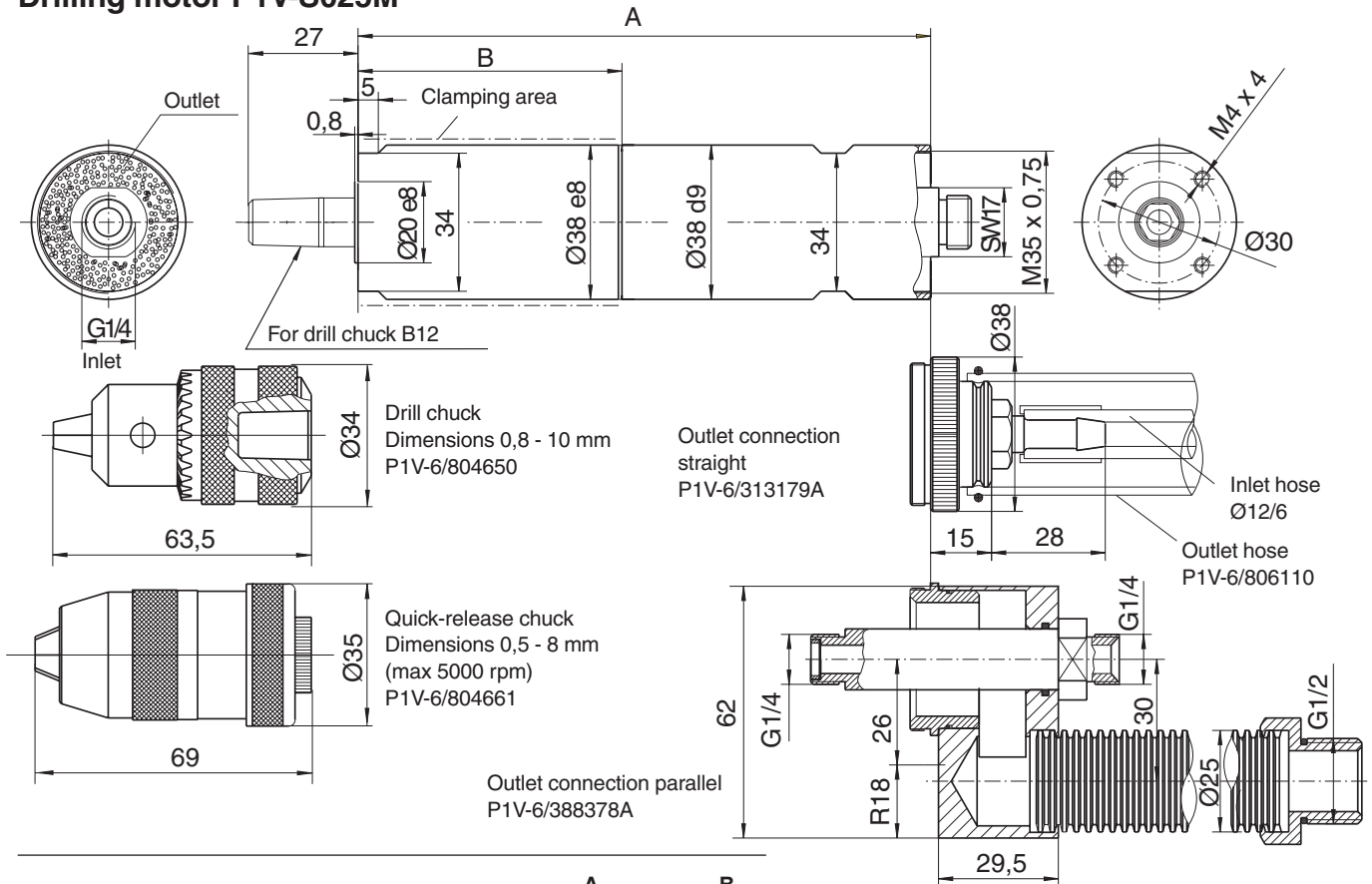
	A	B
P1V-S025N0H00, P1V-S025N0480, P1V-S025N0250	141	65
P1V-S025N0140, P1V-S025N0070, P1V-S025N0035	157	81

CAD drawings on the Internet

Our home page www.parker.com/euro_pneumatic includes the AirCad Drawing Library with 2D and 3D drawings for the main versions.

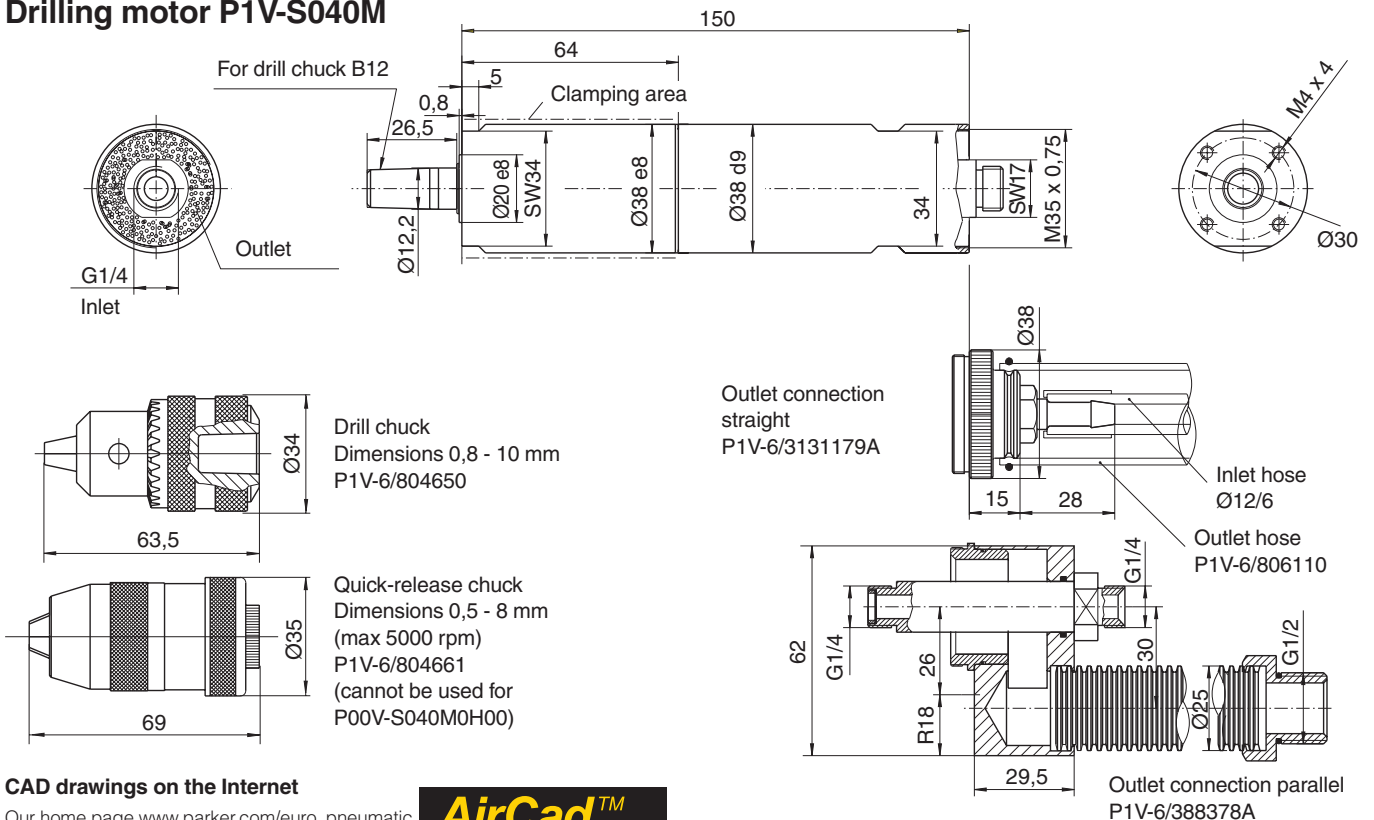


Drilling motor P1V-S025M



	A	B
P1V-S025M0H00, P1V-S025M0480, P1V-S025M0250	141	65
P1V-S025M0140, P1V-S025M0070, P1V-S025M0035	157	81

Drilling motor P1V-S040M

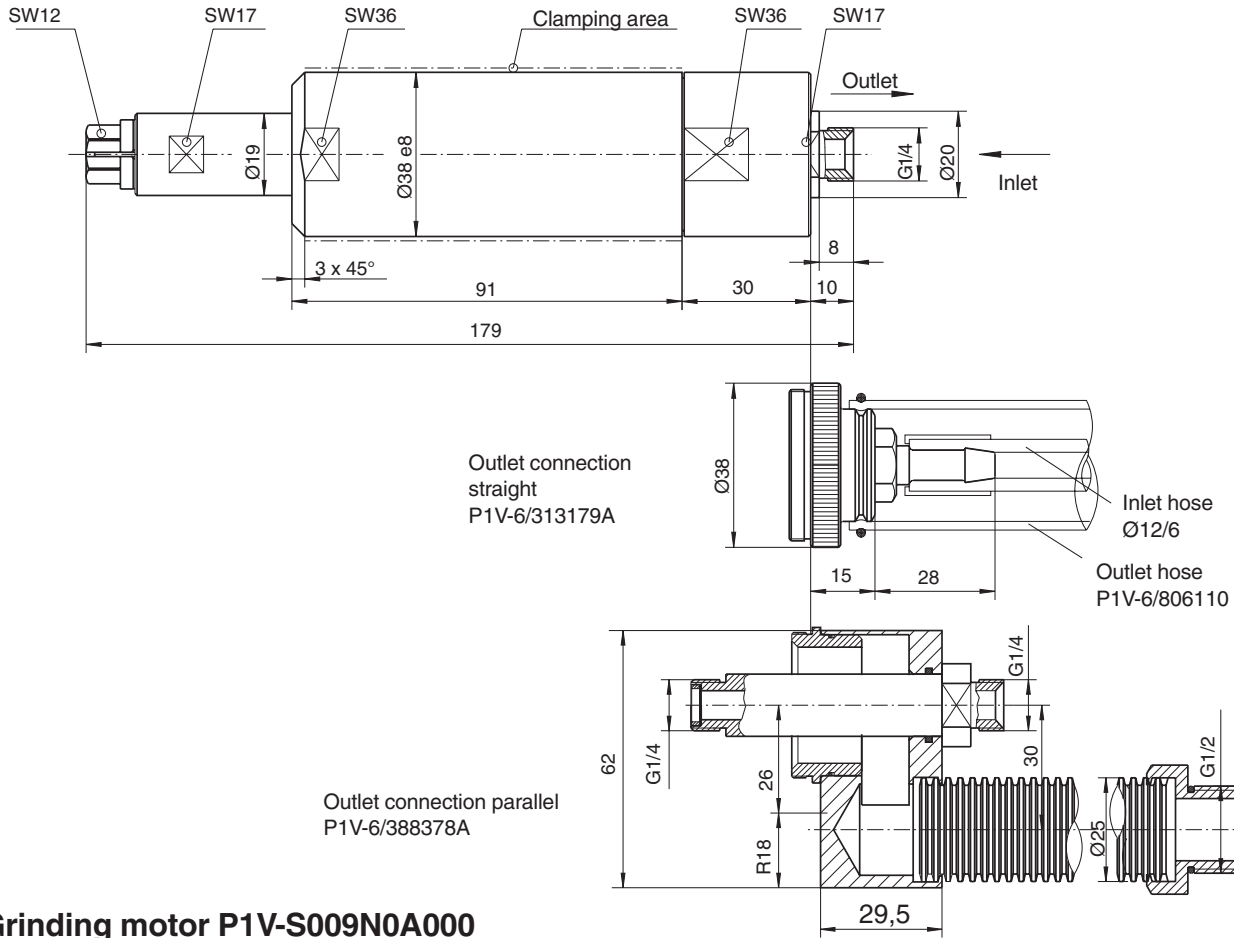


CAD drawings on the Internet

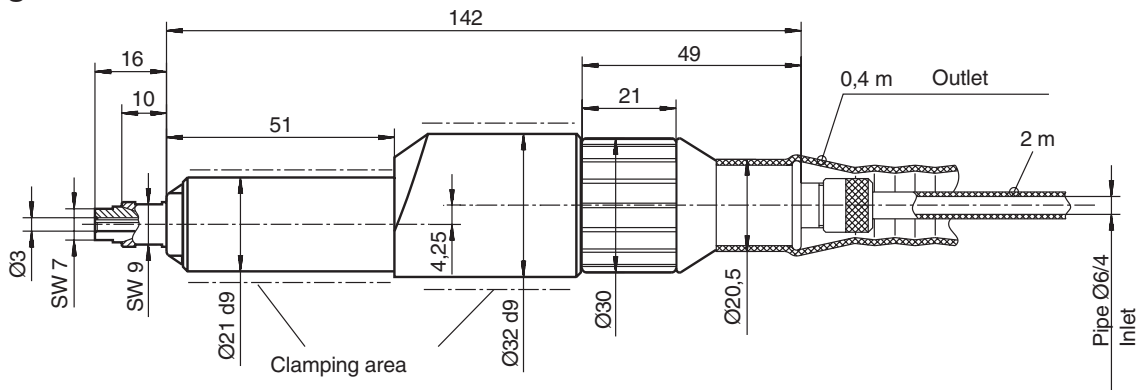
Our home page www.parker.com/euro_pneumatic includes the AirCad Drawing Library with 2D and 3D drawings for the main versions.



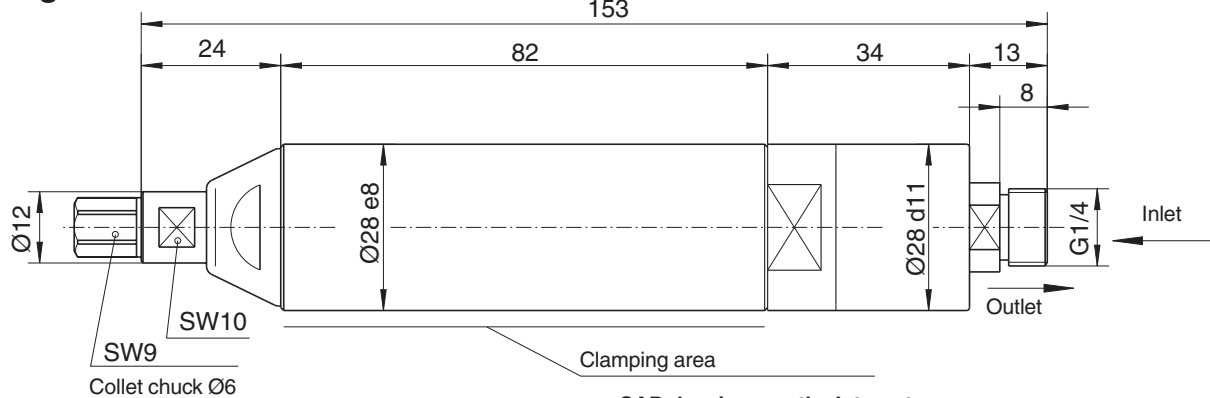
Milling motor P1V-S040N



Grinding motor P1V-S009N0A000



Grinding motor P1V-S020N0X000



CAD drawings on the Internet

Our home page www.parker.com/euro_pneumatic includes the AirCad Drawing Library with 2D and 3D drawings for the main versions.



Theoretical calculations

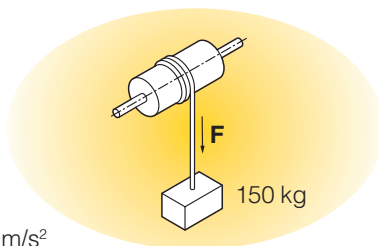
This section provides you with the background you need in order to select the right air motor for common applications. The first four parts explain the direct physical relationships between:

Force - Torque - Speed - Power Requirement

Before selecting an air motor, you need to know the torque required by the application at the necessary speed. Sometimes, the torque and the speed are not known but the power requirement and the speed of movement are. You can use the following formulas to calculate the speed and torque.

Power

The power requirement is always calculated in N.



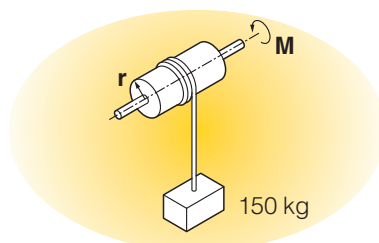
Formula:
 $F = m \times g$

F = power in N
 m = mass in kg
 g = gravitation (9,81) in m/s^2

In this example, the mass is 150 kg
 $F = 150 \times 9,81 \text{ N}$
 $F = 1470 \text{ N}$

Torque

Torque is the force applied to produce rotational motion (rotational force) or the force applied in the opposite direction. It is the product of the rotational force F and the distance from the pivot point (radius or moment arm)



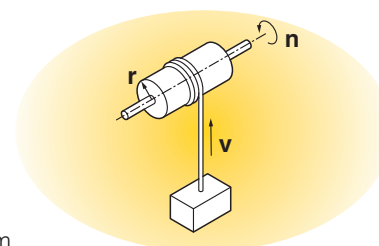
Formula:
 $M = m \times g \times r$

M = torque in Nm
 m = mass in kg
 g = gravitation (9,81) in m/s^2
 r = radius or moment arm in m

In this example, the drum diameter is 300 mm, which means the radius $r = 0,15 \text{ m}$, and the mass is 150kg.
 $M = 150 \times 9,81 \times 0,15 \text{ Nm}$
 $M = 221 \text{ Nm}$

Speed

The required motor speed can be calculated if the speed of movement and the radius (diameter) are known.



$$n = v \times 60 / (2 \times \pi \times r)$$

n = motor speed in rpm
 v = speed of movement in m/sec
 r = radius in m
 π = constant (3,14)

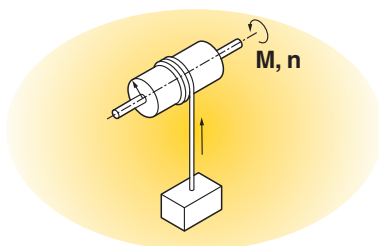
In this example, the speed of movement is 1,5 m/s and the drum diameter is 300 m (radius $r = 0,15 \text{ m}$)

$$n = 1,5 \times 60 / (2 \times \pi \times 0,15) \text{ rpm}$$

$$n = 96 \text{ rpm}$$

Power Requirement

The power requirement can be calculated if the motor speed and torque are known.



$$P = M \times n / 9550$$

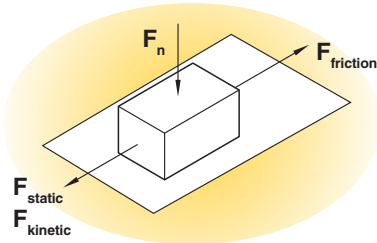
P = power in kW
 M = torque in Nm
 n = rpm
 9550 = conversion factor

In this example, a torque of 1,25 Nm is required at a speed of 1500 rpm.
 $P = 1,25 \times 1500 / 9550$
 $P = 0,196 \text{ kW}$ or approx. 200 Watt

Frictional Forces between two Objects

A frictional force always occurs between two objects with surfaces in contact with each other. It is always exerted against the direction of movement.

The frictional force is either static or kinetic. When selecting an air motor, we need to consider the larger of the two forces, static or kinetic.



The size of the static frictional force or the kinetic frictional force is the product of the normal force F_n and the coefficient of static friction (μ_0), or the product of the normal force F_n and the coefficient of kinetic friction (μ).

The size of the contact surface between the objects is irrelevant.

Formula:

$$F_{\text{static}} = F_n \times \mu_0$$

$$F_{\text{kinetic}} = F_n \times \mu$$

$$F_n = m \times g$$

F_{static} = static friction in N
 F_{kinetic} = kinetic friction in N
 F_n = force from object in N
 m = mass in kg
 g = gravitation (9,81) in m/s²

Material		Coefficient of static friction μ_0	
		Dry	Lubricated
Bronze	Bronze	0,28	0,11
Bronze	Grey iron	0,28	0,16
Grey iron	Grey iron	-	0,16
Steel	Bronze	0,27	0,11
Steel	Ice	0,027	-
Steel	Grey iron	0,20	0,10
Steel	Steel	0,15	0,10
Steel	White metal	-	-
Wood	Ice	-	-
Wood	Wood	0,65	0,16
Leather	Grey iron	0,55	0,22
Brake lining	Steel	-	-
Steel	Nylon (polyamide)	-	-

Material		Coefficient of kinetic friction μ	
		Dry	Lubricated
Bronze	Bronze	0,2	0,06
Bronze	Grey iron	0,21	0,08
Grey iron	Grey iron	-	0,12
Steel	Bronze	0,18	0,07
Steel	Ice	0,014	-
Steel	Grey iron	0,16	0,05
Steel	Steel	0,10	0,05
Steel	White metal	0,20	0,04
Wood	Ice	0,035	-
Wood	Wood	0,35	0,05
Leather	Grey iron	0,28	0,12
Brake lining	Steel	0,55	0,40
Steel	Nylon (polyamide)	0,5	0,10

Example: A steel component with a weight of 500 kg is to be pulled across bronze plate without lubrication. What will the frictional force be when the component moves?

$$F_{\text{static}} = F_n \times \mu_0$$

$$F_{\text{kinetic}} = F_n \times \mu$$

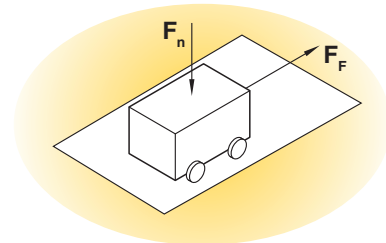
$$F_{\text{static}} = 500 \times 9,81 \times 0,27 = 1324 \text{ N}$$

$$F_{\text{kinetic}} = 500 \times 9,81 \times 0,18 = 883 \text{ N}$$

The static frictional force should always be compared with the force provided by the motor when it starts.

Kinetic Resistance

Kinetic resistance is a term expressing the total resistance, consisting of rolling resistance and the frictional force in the bearing



Formula:

$$F_F = \mu_F \times F_n$$

F_F = kinetic resistance in N

μ_F = coefficient of kinetic resistance

F_n = force from object in N

Coefficient of kinetic resistance:

Object	Coefficient of kinetic resistance
Railway vehicle on steel rails	0,0015 to 0,0030
Vehicle with rubber wheel on asphalt	0,015 to 0,03

Example:

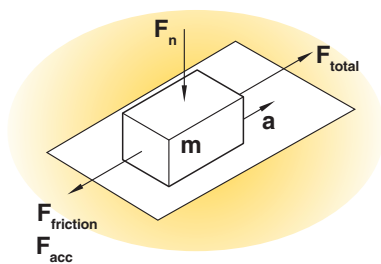
A railway carriage with a weight of 2 tonnes is to move over flat rails. What will the kinetic resistance be?

$$F_F = \mu_F \times F_n$$

$$F_F = 0,0030 \times 2 \times 1000 \times 9,81$$

$$F_F = 4,86 \text{ N}$$

Moving a component over a base, with friction between them



The force required to move the component consists of two parts - a frictional force to move the component over the base, and an acceleration force

$$F_{\text{tot}} = F_{\text{friction}} + F_{\text{acc}}$$

$$F_{\text{acc}} = m \times a$$

$$F_{\text{tot}} = F_{\text{friction}} + m \times a$$

F_{tot} = the total force required in order to move the object in N

F_{friction} = frictional force in N (either F_{static} or F_{kinetic} depending on which is the greater force)

F_{acc} = acceleration force in N

m = mass in kg

a = acceleration in m/s^2

A steel component weighing 500 kg is to be pulled over a dry steel plate with an acceleration of $0,1 \text{ m/s}^2$. What is the total force required to produce this movement?

$$F_{\text{tot}} = F_{\text{kinetic}} + F_{\text{acc}}$$

$$F_{\text{tot}} = F_{\text{kinetic}} + m \times a$$

$$F_{\text{tot}} = F_n \times u + m \times a$$

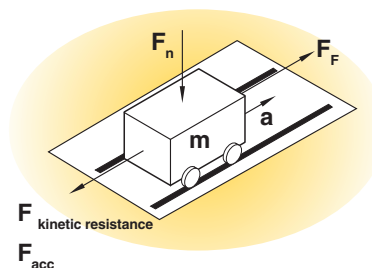
$$F_{\text{tot}} = 500 \times 9,81 \times 0,15 + 500 \times 0,1$$

$$F_{\text{tot}} = 735,75 + 50$$

$$F_{\text{tot}} = 785,75 \text{ N}$$

Answer: A force of 780 N is required to produce this movement.

Moving a carriage over rails, with kinetic resistance between them



The force required to move the component consists of two parts - a kinetic resistance to move the component over the base, and an acceleration force

$$F_{\text{tot}} = F_{\text{kinetic resistance}} + F_{\text{acc}}$$

$$F_{\text{acc}} = m \times a$$

$$F_{\text{tot}} = F_{\text{kinetic resistance}} + m \times a$$

F_{tot} = the total force required in order to move the object in N

$F_{\text{kinetic resistance}}$ = total kinetic resistance in N

F_{acc} = acceleration force in N

m = mass in kg

a = acceleration in m/s^2

A carriage weighing 2500 kg is to be pulled over steel rails with an acceleration of $0,2 \text{ m/s}^2$. What is the total force required to produce this movement?

$$F_{\text{tot}} = F_{\text{kinetic resistance}} + F_{\text{acc}}$$

$$F_{\text{tot}} = u_F \times F_N + m \times a$$

$$F_{\text{tot}} = 0,0030 \times 2500 \times 9,81 + 2500 \times 0,2$$

$$F_{\text{tot}} = 6,1 + 500$$

$$F_{\text{tot}} = 506 \text{ N}$$

Answer: A force of 510 N is required to produce this movement.

In practice

These calculations only produce values as they would be under optimum conditions. There must be no inclines in either direction. In applications using carriages, the rails must be perfectly flat without any inclines, the wheels must be perfectly round and there must be nothing on the rails (grains of sand, etc.). There must also be no effects from wind, etc.

In addition, there is always uncertainty with regard to the compressed air supply. How can we guarantee a pressure of 6 bar to the inlet port of the air motor?

Tip: calculate the required theoretical values for the air motor and assume a safety factor of 10 for the frictional force or kinetic resistance, and add this to the acceleration force. If the motor proves to be too powerful in practice, the supply air can always be regulated by throttling or pressure regulation. If you select a motor that is not powerful enough, on the other hand, the only option is to replace it.

Permitted shaft loadings

Air and brakemotors

Max. permitted load on output shaft for motors (based on 10 000 000 rpm at input shaft with 90 % probable service life for ball bearings).

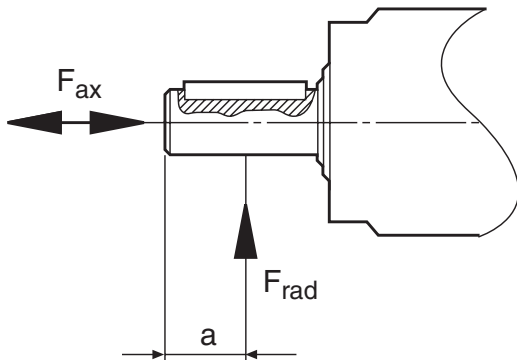


Fig 1: Load on output shaft for basic motor with keyed shaft.

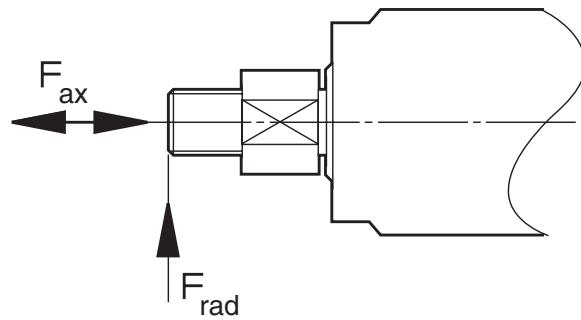


Fig. 2: Load on output shaft for basic motor with threaded shaft.

Keyed shaft

Order code	F_{ax} [N]	F_{rad} [N]	a [mm]
P1V-S002A	140	180	6
P1V-S008A	200	220	7
P1V-S012A	380	160	9
P1V-S020A	570	720	12
P1V-S020A0011	1100	1200	22
P1V-S020A0006	1100	1200	22
P1V-S030A0023	1100	1200	22
P1V-S030A0010	1100	1200	22
P1V-S030A0E50	570	1130	14
P1V-S030A0460	570	1130	14
P1V-S030A0240	570	1130	14
P1V-S030A0140	570	1130	14
P1V-S030A0060	790	1070	15
P1V-S030A0028	790	1070	15
P1V-S030A0018	790	1070	15
P1V-S030A0005	790	1070	15
P1V-S060A0E00	1110	1300	15
P1V-S060A0400	1110	1300	15
P1V-S060A0270	1110	1300	15
P1V-S060A0170	1110	1300	15
P1V-S060A0072	1110	1300	15
P1V-S060A0048	1130	2090	18
P1V-S060A0030	1130	2090	18
P1V-S060A0010	1130	2090	18
P1V-S120A0800	2330	2260	18
P1V-S120A0270	2330	2260	18
P1V-S120A0110	2330	2260	18
P1V-S120A0078	2330	2700	30
P1V-S120A0032	2330	2700	30
P1V-S120A0012	2330	2700	30

Threaded shaft

Order code	F_{ax} [N]	F_{rad} [N]
P1V-S012D	380	110
P1V-S020D	570	450
P1V-S030D0E50	570	860
P1V-S030D0460	570	860
P1V-S030D0240	570	860
P1V-S030D0140	570	860
P1V-S030D0060	790	820
P1V-S030D0028	790	820
P1V-S030D0018	790	820
P1V-S030D0005	790	820

F_{rad} = Radial loading (N)

F_{ax} = Axial loading (N)

Permitted shaft loadings

Drilling, milling and grinding motors

Max. permitted load on output shaft for motors (based on 10 000 000 rpm at input shaft with 90 % probable service life for ball bearings).

Drilling motors with collet chuck

Order code	F_{ax} [N]	F_{rad} [N]	a [mm]
P1V-S008N	200	75	25
P1V-S017N	380	50	25
P1V-S025N	750	260	25

Drilling motors with drill chuck

Order code	F_{ax} [N]	F_{rad} [N]	a [mm]
P1V-S017M	380	35	60
P1V-S025M	380	150	70
P1V-S040M	750	150	70

Milling motor

Order code	F_{ax} [N]	F_{rad} [N]	a [mm]
P1V-S040N*	30	250	25

Grinding motors

Order code	F_{ax} [N]	F_{rad} [N]	a [mm]
P1V-S009N*	2	10	25
P1V-S020N*	16	70	25

F_{rad} = Radial loading (N)

F_{ax} = Axial loading (N)

* For the milling motor and grinding motor, these loadings are calculated for 1000 hours of operation

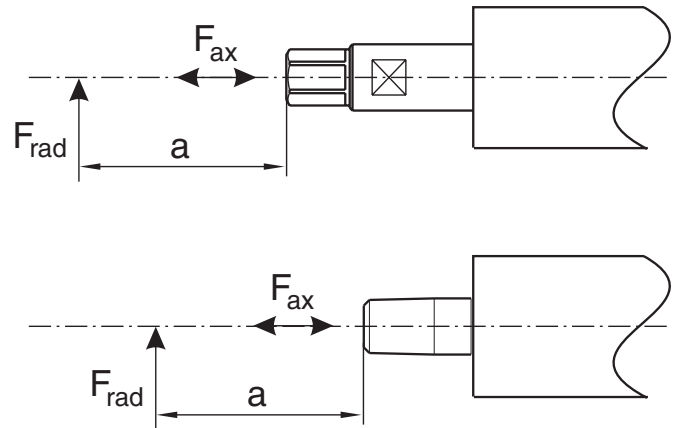
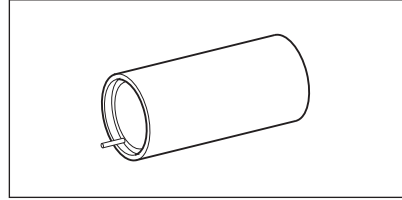
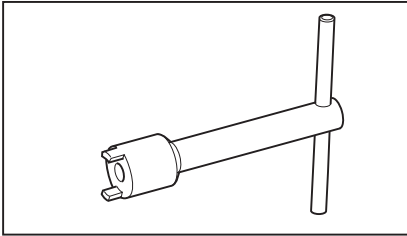


Fig 3: Load on output shaft for drilling, milling and grinding motors.

Service kits for P1V-S motors

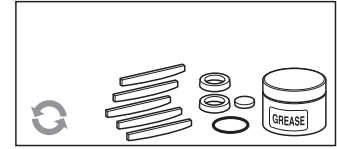
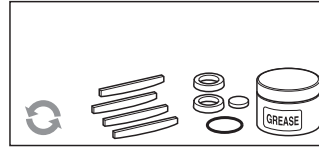
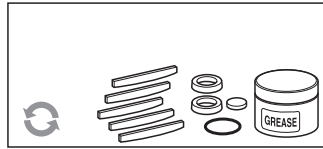
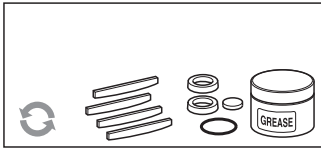
The following kits are available for the basic motors, consisting of vanes, (springs), silencers, O-rings, seals and 50 g of grease: (USDA-H1 approved):



Installation tools

For motor	Order code
P1V-S012	8204160049

For motor	Order code
P1V-S020, P1V-S030	8204160112



Service kit, vanes for intermittent lubrication-free operation

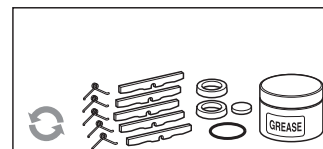
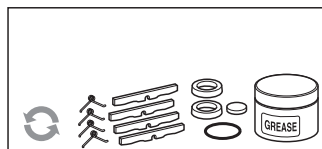
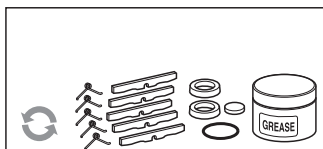
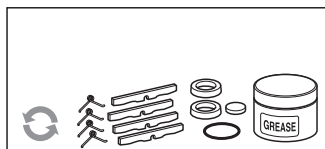
For motor	Order code
P1V-S002A	P1V-6/446083A
P1V-S008A	P1V-6/446084A
P1V-S012A/D0 (to serial no 948688)	9121720601
P1V-S012A/D0 (from serial no 948689)	9121720636
P1V-S020A/D0	9121720602
P1V-S030A/D0	9121720603
P1V-S060A0E00	9121720604
P1V-S060A0400	9121720604
P1V-S060A0270	9121720604
P1V-S060A0170	9121720604
P1V-S060A0072	9121720604
P1V-S060A0048	9121720605
P1V-S060A0030	9121720605
P1V-S060A0010	9121720605
P1V-S120A0800	9121720606
P1V-S120A0270	9121720606
P1V-S120A0110	9121720606
P1V-S120A0078	9121720607
P1V-S120A0032	9121720607
P1V-S120A0012	9121720607

Service kit, vanes for continuous lubrication-free operation, Option "C"

For motor	Order code
P1V-S012A/DC (to serial no 948688)	9121720608
P1V-S012A/DC (from serial no 948689)	9121720637
P1V-S020A/DC	9121720609
P1V-S030A/DC	9121720610
P1V-S060ACE00	9121720611
P1V-S060AC400	9121720611
P1V-S060AC270	9121720611
P1V-S060AC170	9121720611
P1V-S060AC072	9121720611
P1V-S060AC048	9121720612
P1V-S060AC030	9121720612
P1V-S060AC010	9121720612
P1V-S120AC800	9121720613
P1V-S120AC270	9121720613
P1V-S120AC110	9121720613
P1V-S120AC078	9121720614
P1V-S120AC032	9121720614
P1V-S120AC012	9121720614

Service kits for P1V-S motors

The following kits are available for the basic motors, consisting of vanes, (springs), silencers, O-rings, seals and 50 g of grease: (USDA-H1 approved):



Service kit, spring-loaded vanes for intermittent lubrication-free operation Option "Z"

For motor	Order code
P1V-S012A/DZ (to serial no 948688)	9121720615
P1V-S012A/DZ (from serial no 948689)	9121720638
P1V-S020A/DZ	9121720616
P1V-S030A/DZ	9121720617
P1V-S060AZE00	9121720618
P1V-S060AZ400	9121720618
P1V-S060AZ270	9121720618
P1V-S060AZ170	9121720618
P1V-S060AZ072	9121720618
P1V-S060AZ048	9121720619
P1V-S060AZ030	9121720619
P1V-S060AZ010	9121720619
P1V-S120AZ800	9121720620
P1V-S120AZ270	9121720620
P1V-S120AZ110	9121720620
P1V-S120AZ078	9121720621
P1V-S120AZ032	9121720621
P1V-S120AZ012	9121720621

Service kit, spring-loaded vanes for continuous lubrication-free operation Option "M"

For motor	Order code
P1V-S012A/DM (to serial no 948688)	9121720622
P1V-S012A/DM (from serial no 948689)	9121720639
P1V-S020A/DM	9121720623
P1V-S030A/DM	9121720624
P1V-S060AME00	9121720625
P1V-S060AM400	9121720625
P1V-S060AM270	9121720625
P1V-S060AM170	9121720625
P1V-S060AM072	9121720625
P1V-S060AM048	9121720626
P1V-S060AM030	9121720626
P1V-S060AM010	9121720626
P1V-S120AM800	9121720627
P1V-S120AM270	9121720627
P1V-S120AM110	9121720627
P1V-S120AM078	9121720628
P1V-S120AM032	9121720628
P1V-S120AM012	9121720628

Service kit for brake module for brake motors

For motor	Order code
P1V-S020AD and P1V-S030AD	P1V-6/446096A

Comment: To perform a full service on a brake motor, you will need a normal service kit as well as a service kit for the brake module

Service kits for drilling, milling and grinding motors

The following kits are available for the motors, consisting of vanes, (springs), silencers, O-rings, seals and 50 g of grease: (USDA-H1 approved):



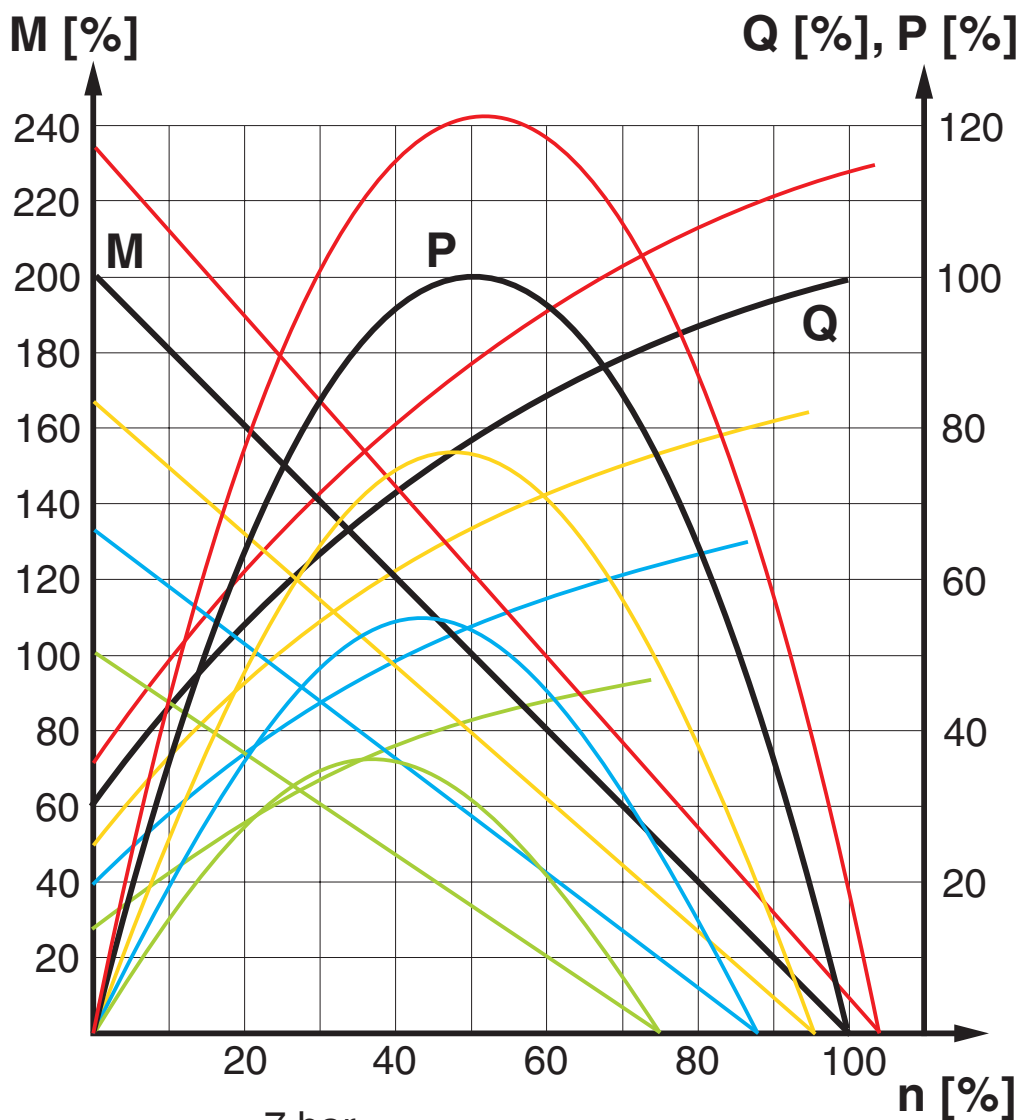
Service kit

For drilling motor	Order code
P1V-S008N	P1V-6/446085A
P1V-S017N/M	P1V-6/446086A
P1V-S025N/M	P1V-6/446087A
P1V-S040M	P1V-6/446088A

For milling motor	Order code
P1V-S040N	P1V-6/446088A

For grinding motor	Order code
P1V-S020N	P1V-6/446090A

Torque, power and air consumption graphs



- 7 bar
- 6 bar
- 5 bar
- 4 bar
- 3 bar

P = power	Q = air consumption
M = torque	n = speed

The curves in this graph are a combination of the torque, power and air consumption graphs on page 6. The values from the correction diagram on page 7 have also been used for the curves for the different pressure values. The graph also shows that it is very important to ensure that the pressure supplied to the inlet port of the motor is correct, in order to allow the motor to work at maximum capacity. If the valve supplying a large motor is too small, or if the supply line is underspecified, the pressure at the inlet port may be so low that the motor is unable to do its work. One solution would be to upgrade the valve and supply system, or alternatively you could replace the motor with a smaller motor with lower air consumption. The result would be increased pressure at the inlet port, which means that the smaller motor could carry out the necessary work. However, you may need to select a smaller motor with a lower free speed in order to obtain sufficient torque at the outgoing shaft.

Notes

Sales Offices

AE – United Arab Emirates,
Abu Dhabi
Tel: +971 2 67 88 587

AR – Argentina, Buenos Aires
Tel: +54 3327 44 4129

AT – Austria, Wiener Neustadt
Tel: +43 (0)2622 23501-0

AT – Austria, Wiener Neustadt
(Eastern Europe)
Tel: +43 (0)2622 23501 970

AU – Australia, Castle Hill
Tel: +61 (0)2-9634 7777

AZ – Azerbaijan, Baku
Tel: +994 50 2233 458

BE – Belgium, Nivelles
Tel: +32 (0)67 280 900

BR – Brazil, Cachoeirinha RS
Tel: +55 51 3470 9144

BY – Belarus, Minsk
Tel: +375 17 209 9399

CA – Canada, Milton, Ontario
Tel: +1 905 693 3000

CH – Switzerland
See Germany

CN – China, Shanghai
Tel: +86 21 5031 2525

CN – China, Beijing
Tel: +86 10 6561 0520

CZ – Czech Republic, Klecany
Tel: +420 284 083 111

DE – Germany, Kaarst
Tel: +49 (0)2131 4016 0

DK – Denmark, Ballerup
Tel: +45 43 56 04 00

ES – Spain, Madrid
Tel: +34 902 33 00 01

FI – Finland, Vantaa
Tel: +358 (0)20 753 2500

FR – France,
Contamine-sur-Arve
Tel: +33 (0)4 50 25 80 25

GR – Greece, Athens
Tel: +30 210 933 6450

HK – Hong Kong
Tel: +852 2428 8008

HU – Hungary, Budapest
Tel: +36 1 220 4155

IE – Ireland, Dublin
Tel: +353 (0)1 466 6370

IN – India, Mumbai
Tel: +91 22 6513 7081-85

IT – Italy, Corsico (MI)
Tel: +39 02 45 19 21

JP – Japan, Fujisawa
Tel: +(81) 4 6635 3050

KR – South Korea, Seoul
Tel: +82 2 559 0400

KZ – Kazakhstan, Almaty
Tel: +7 3272 505 800

LV – Latvia, Riga
Tel: +371 74 52601

MX – Mexico, Apodaca
Tel: +52 81 8156 6000

MY – Malaysia, Subang Jaya
Tel: +60 3 5638 1476

NL – The Netherlands,
Oldenzaal
Tel: +31 (0)541 585 000

NO – Norway, Ski
Tel: +47 64 91 10 00

NZ – New Zealand, Mt Wellington
Tel: +64 9 574 1744

PL – Poland, Warsaw
Tel: +48 (0)22 573 24 00

PT – Portugal, Leca
da Palmeira
Tel: +351 22 999 7360

RO – Romania, Bucharest
Tel: +40 21 252 1382

RU – Russia, Moscow
Tel: +7 495 645-2156

SE – Sweden, Spånga
Tel: +46 (0)8 59 79 50 00

SG – Singapore
Tel: +65 6887 6300

SL – Slovenia, Novo Mesto
Tel: +386 7 337 6650

SK – Slovakia
See Czech Republic

TH – Thailand, Bangkok
Tel: +662 717 8140

TR – Turkey, Merter/Istanbul
Tel: +90 212 482 91 06 or 07

TW – Taiwan, Taipei
Tel: +886 2 2298 8987

UA – Ukraine, Kyiv
Tel +380 44 494 2731

UK – United Kingdom,
Warwick
Tel: +44 (0)1926 317 878

US – USA, Cleveland
Tel: +1 216 896 3000

US – USA, Miami
(Pan American Division)
Tel: +1 305 470 8800

VE – Venezuela, Caracas
Tel: +58 212 238 5422

ZA – South Africa,
Kempton Park
Tel: +27 (0)11 961 0700